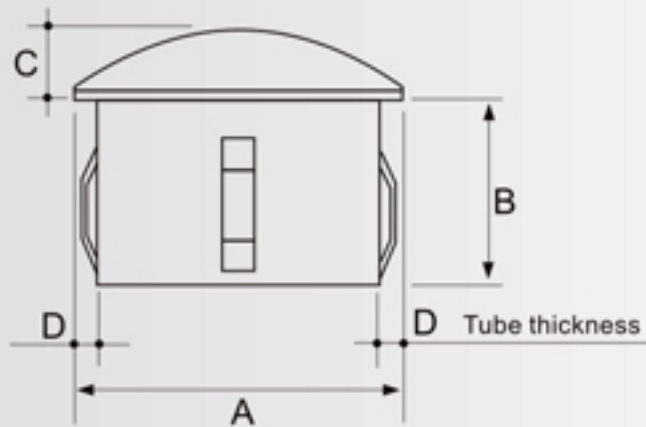




SS:42430A



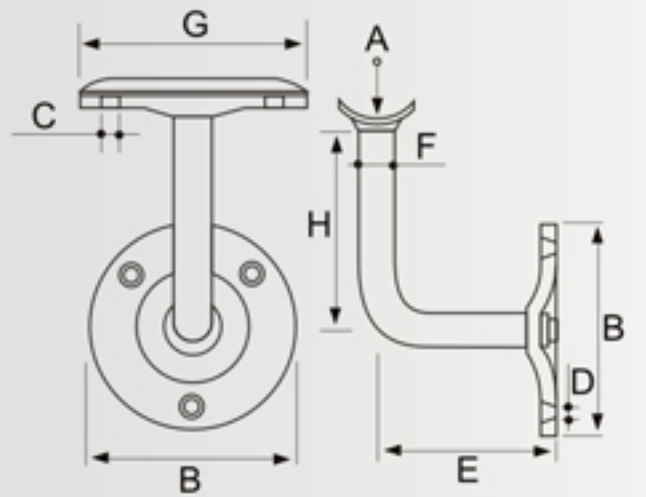
Impeccable tight seam sealing.

Item No	EUR	A	B	C	D
SS:12030A		φ 12	11.5	3.0	1.2~1.6m/m
SS:16030A		φ 16	15	3.3	1.2~2.0m/m
SS:20030A		φ 20	17	3.5	1.2~2.0m/m
SS:21330A		φ 21.3	18	3.7	1.5~2.6m/m
SS:26930A		φ 26.9	23	5.0	1.5~2.8m/m
SS:30030A		φ 30	23.5	6.8	1.5~2.8m/m
SS:33730A		φ 33.7	23.5	7.1	1.5~2.8m/m
SS:40030A		φ 40	24.5	8.2	1.5~3.0m/m
SS:42430A		φ 42.4	25	8.3	1.5~3.0m/m
SS:48330A		φ 48.3	26.5	10	1.5~3.0m/m
SS:60330A		φ 60.3	26.5	11	1.5~3.0m/m
SS:70030A		φ 70	27	13	1.5~3.0m/m
SS:76130A		φ 76.1	27	13.5	1.5~3.0m/m
SS:101630A		φ 101.6	27	17	1.8~3.0m/m

PATENT IS ON RECORD



SS:42431

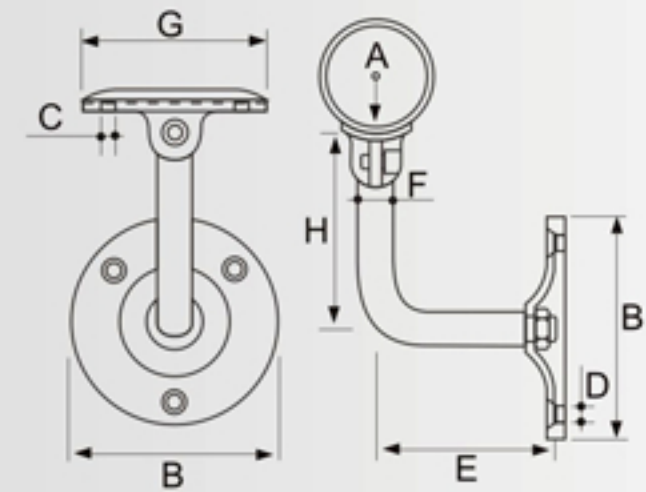


Item No	EUR	A	B	C	D	E	F	G	H
SS:33731		φ 33.7	φ 64.8	φ 5.5	φ 5.5	63.5	φ 12	66	60m/m
SS:42431		φ 42.4	φ 74.6	φ 5.5	φ 5.5	63.5	φ 12	66	60m/m
SS:48331		φ 48.3	φ 82.4	φ 5.5	φ 5.5	63.5	φ 14	66	60m/m



SS:42431A

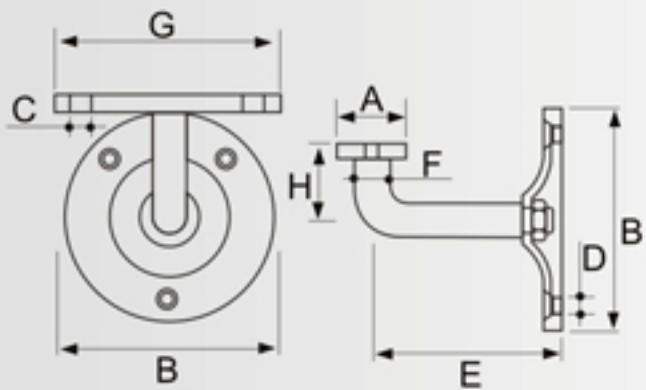
Angle adjustable



Item No	EUR	A	B	C	D	E	F	G	H
SS:33731A		φ 33.7	φ 64.8	φ 5.5	φ 5.5	63.5	φ 12	66	60m/m
SS:42431A		φ 42.2	φ 74.6	φ 5.5	φ 5.5	63.5	φ 12	66	60m/m
SS:48331A		φ 48.3	φ 82.4	φ 5.5	φ 5.5	63.5	φ 14	66	60m/m



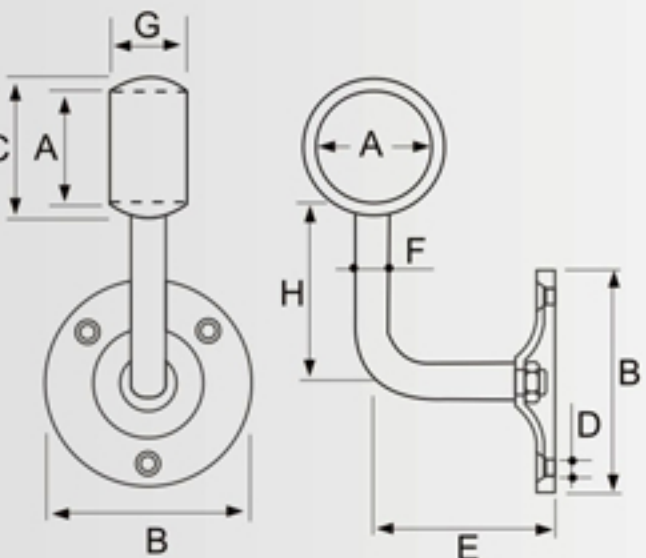
SS:42431P



Item No	EUR	A	B	C	D	E	F	G	H
SS:42431P		32	64.8	φ 5.5	φ 5.5	63.5	φ 12	66	34m/m



SS:42432

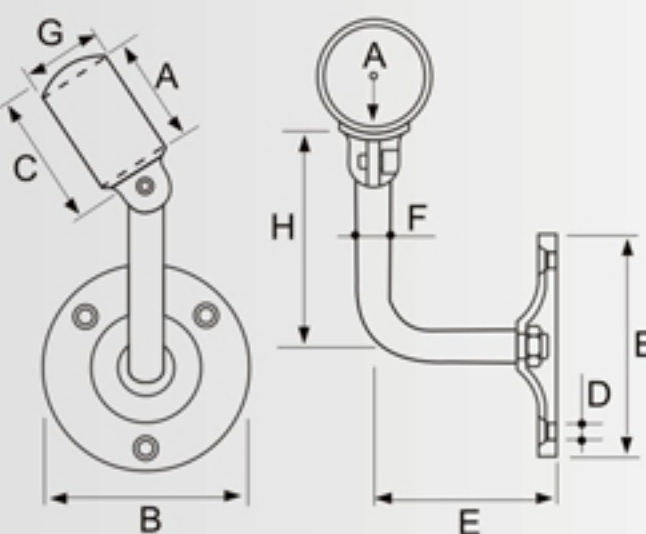


Item No	EUR	A	B	C	D	E	F	G	H
SS:33732		φ 33.7	φ 64.8	φ 46	φ 5.5	63.5	φ 12	29	60m/m
SS:42432		φ 42.4	φ 74.6	φ 54	φ 5.5	63.5	φ 12	32	60m/m
SS:48332		φ 48.3	φ 82.4	φ 62	φ 5.5	63.5	φ 14	36	60m/m



SS:42432A

Angle adjustable



Item No	EUR	A	B	C	D	E	F	G	H
SS:33732A		φ 33.7	φ 64.8	φ 46	φ 5.5	63.5	φ 12	29	60m/m
SS:42432A		φ 42.4	φ 74.6	φ 54	φ 5.5	63.5	φ 12	32	60m/m
SS:48332A		φ 48.3	φ 82.4	φ 62	φ 5.5	63.5	φ 14	36	60m/m