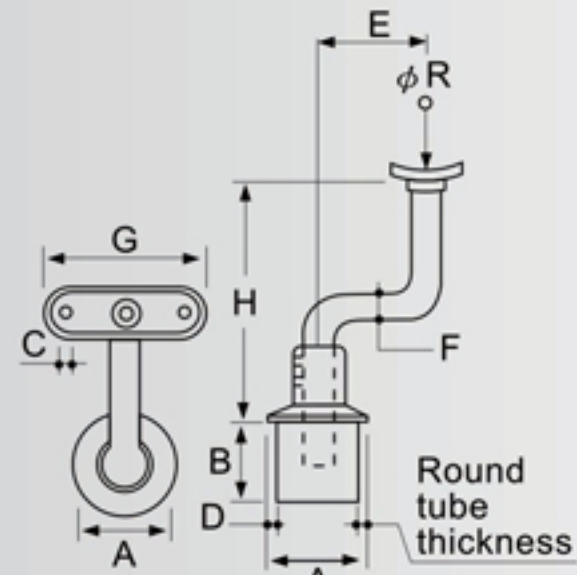
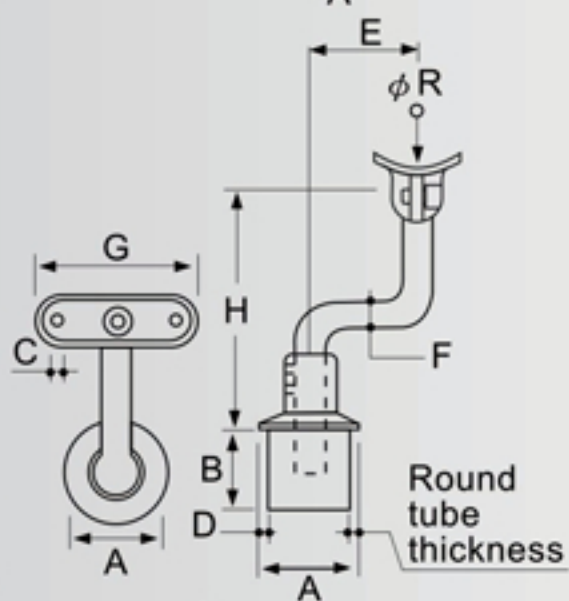


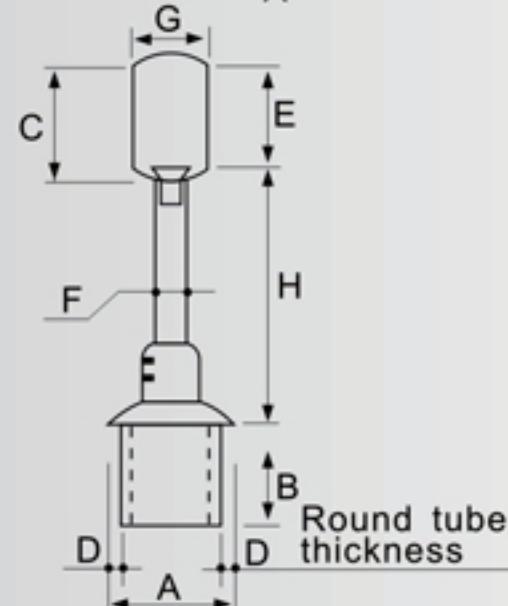
DAH SHI STAINLESS STEEL TUBULAR RAILINGS, HIGH-CLASS ASSEMBLIES AND ACCESSORIES.



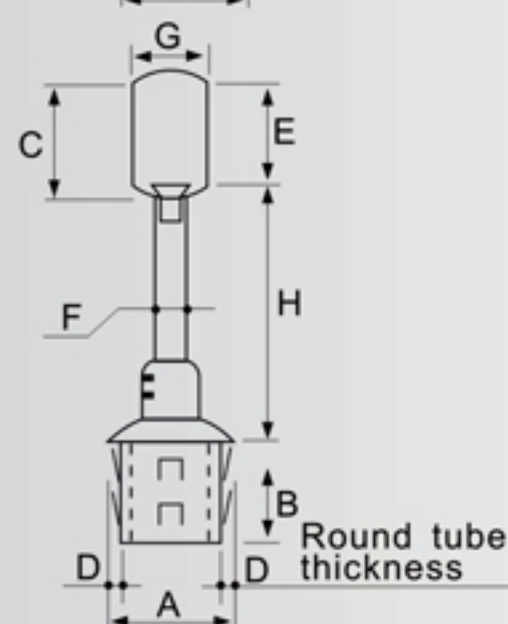
Item No	EUR	A	B	C	D	E	F	G	H	ϕ R
SS:33749		ϕ 33.7	28	ϕ 5.2	t2.0	55	ϕ 12	66	90~110	33.7m/m
SS:42449		ϕ 42.4	33	ϕ 5.2	t2.0	55	ϕ 14	66	90~110	42.4m/m
SS:48349		ϕ 48.3	37	ϕ 5.2	t2.0	60	ϕ 16	66	90~110	48.3m/m



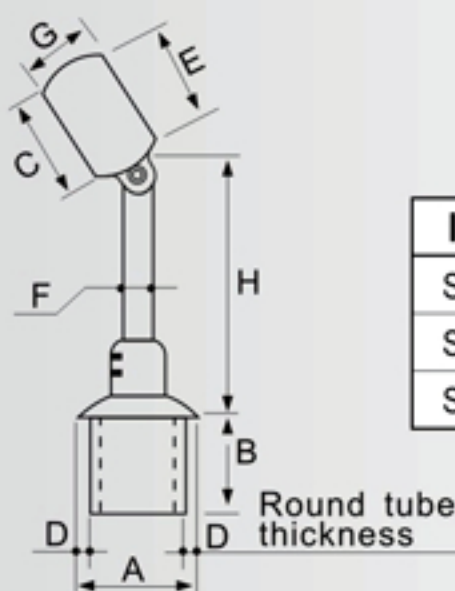
Item No	EUR	A	B	C	D	E	F	G	H	ϕ R
SS:33749A		ϕ 33.7	28	ϕ 5.2	t2.0	55	ϕ 12	66	90~110	33.7m/m
SS:42449A		ϕ 42.4	33	ϕ 5.2	t2.0	55	ϕ 14	66	90~110	42.4m/m
SS:48349A		ϕ 48.3	37	ϕ 5.2	t2.0	60	ϕ 16	66	90~110	48.3m/m



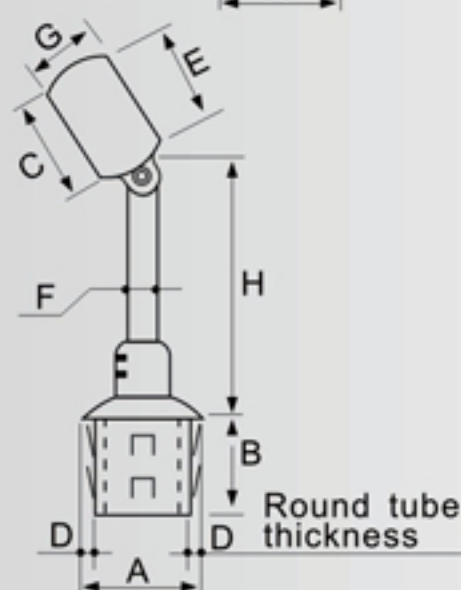
Item No	EUR	A	B	C	D	E	F	G	H
SS:33750		ϕ 33.7	28	ϕ 46	t2.0	ϕ 33.7	ϕ 12	29	60~110m/m
SS:42450		ϕ 42.4	33	ϕ 54	t2.0	ϕ 42.4	ϕ 14	32	60~110m/m
SS:48350		ϕ 48.3	37	ϕ 62	t2.0	ϕ 48.3	ϕ 16	36	60~110m/m



Item No	EUR	A	B	C	D	E	F	G	H
SS:33750B		ϕ 33.7	28	ϕ 46	t1.5-2.6	ϕ 33.7	ϕ 12	29	60~110m/m
SS:42450B		ϕ 42.4	33	ϕ 54	t1.5-2.6	ϕ 42.4	ϕ 14	32	60~110m/m
SS:48350B		ϕ 48.3	37	ϕ 62	t1.5-2.6	ϕ 48.3	ϕ 16	36	60~110m/m



Item No	EUR	A	B	C	D	E	F	G	H
SS:33750A		ϕ 33.7	28	ϕ 46	t2.0	ϕ 33.7	ϕ 12	29	60~110m/m
SS:42450A		ϕ 42.4	33	ϕ 54	t2.0	ϕ 42.4	ϕ 14	32	60~110m/m
SS:48350A		ϕ 48.3	37	ϕ 62	t2.0	ϕ 48.3	ϕ 16	36	60~110m/m



Item No	EUR	A	B	C	D	E	F	G	H
SS:33750AB		ϕ 33.7	28	ϕ 46	t1.5-2.6	ϕ 33.7	ϕ 12	29	60~110m/m
SS:42450AB		ϕ 42.4	33	ϕ 54	t1.5-2.6	ϕ 42.4	ϕ 14	32	60~110m/m
SS:48350AB		ϕ 48.3	37	ϕ 62	t1.5-2.6	ϕ 48.3	ϕ 16	36	60~110m/m