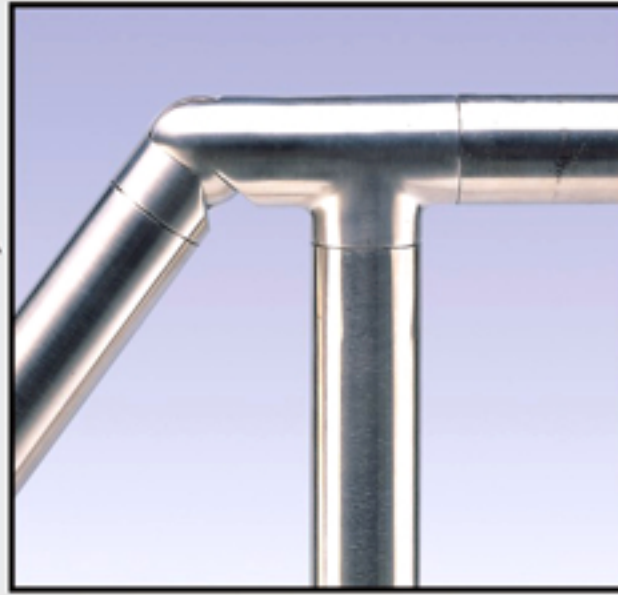
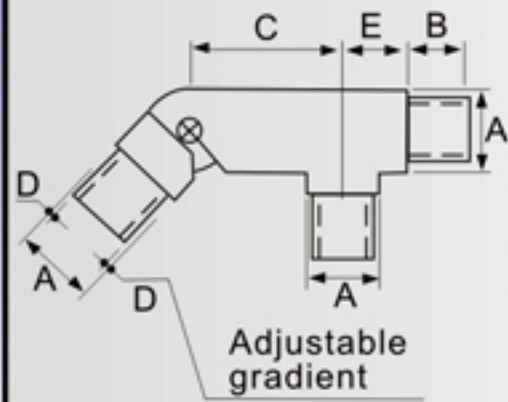
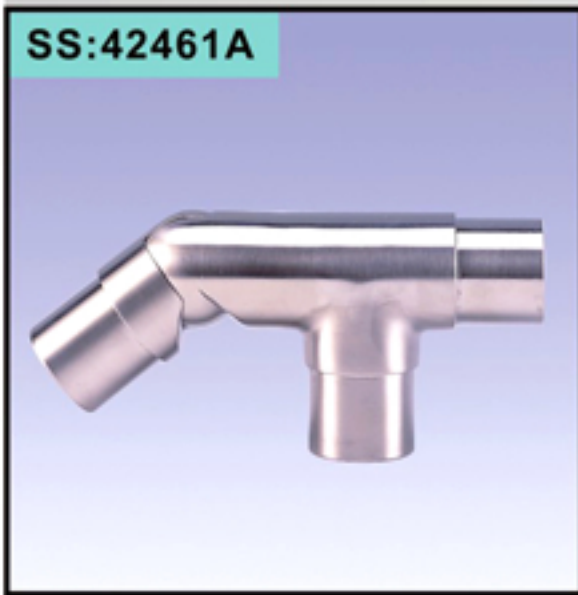
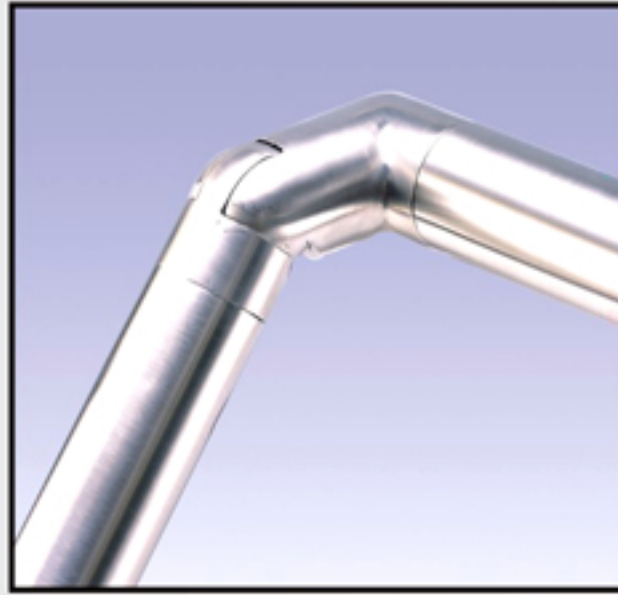
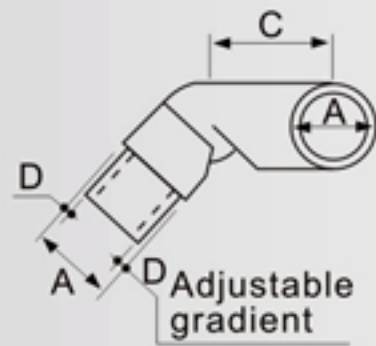


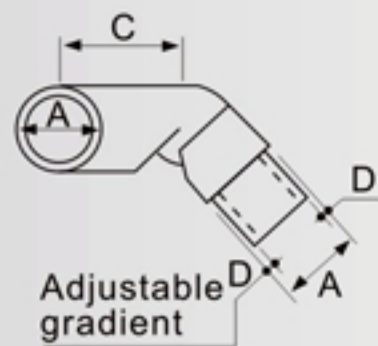
Item No	EUR	A	B	C	D
SS:33761		φ 33.7	28	22	t2.0m/m
SS:42461		φ 42.4	33	28	t2.0m/m
SS:48361		φ 48.3	37	31	t2.0m/m



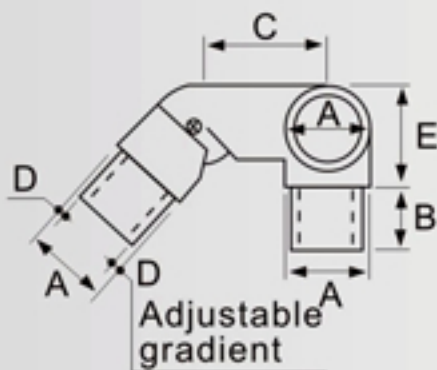
Item No	EUR	A	B	C	D	E
SS:33761A		φ 33.7	28	49	t2.0	27m/m
SS:42461A		φ 42.4	33	61	t2.0	34m/m
SS:48361A		φ 48.3	37	68	t2.0	37m/m



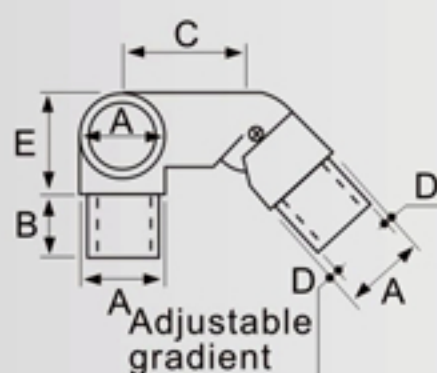
Item No	EUR	A	B	C	D
SS:33761R		φ 33.7	28	49	t2.0m/m
SS:42461R		φ 42.4	33	61	t2.0m/m
SS:48361R		φ 48.3	37	68	t2.0m/m



Item No	EUR	A	B	C	D
SS:33761L		φ 33.7	28	49	t2.0m/m
SS:42461L		φ 42.4	33	61	t2.0m/m
SS:48361L		φ 48.3	37	68	t2.0m/m



Item No	EUR	A	B	C	D	E
SS:33761R3		φ 33.7	28	49	t2.0	27m/m
SS:42461R3		φ 42.4	33	61	t2.0	34m/m
SS:48361R3		φ 48.3	37	68	t2.0	37m/m



Item No	EUR	A	B	C	D	E
SS:33761L3		φ 33.7	28	49	t2.0	27m/m
SS:42461L3		φ 42.4	33	61	t2.0	34m/m
SS:48361L3		φ 48.3	37	68	t2.0	37m/m