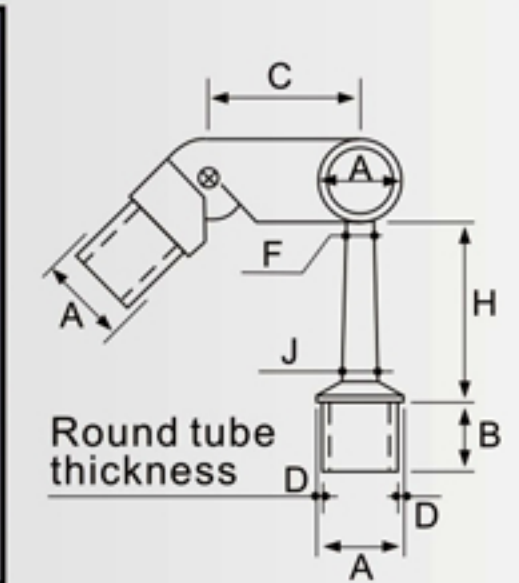
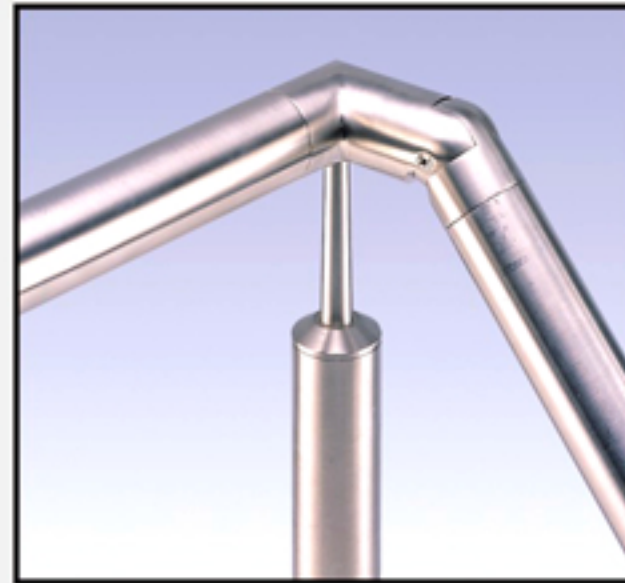
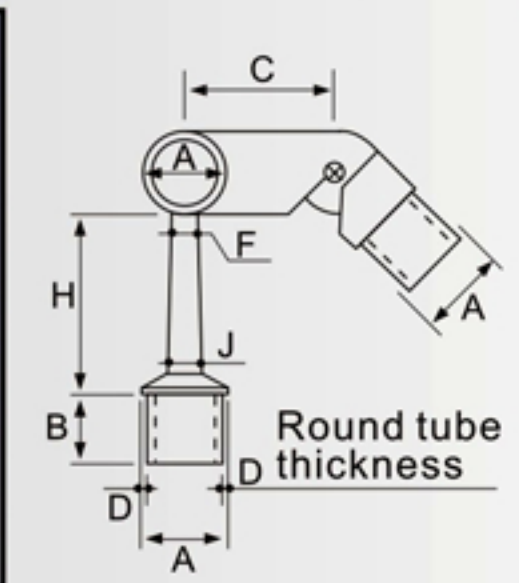


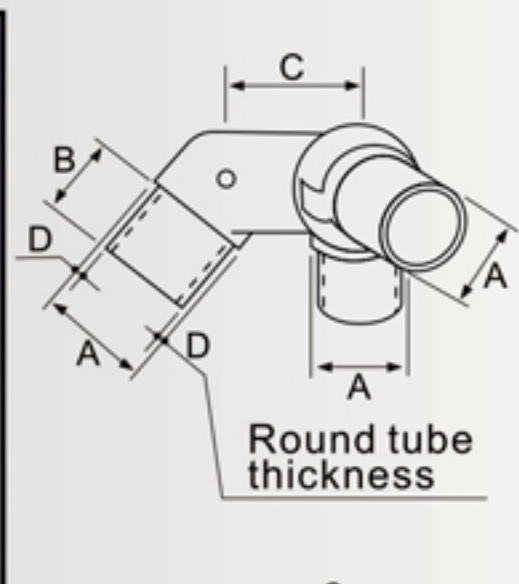
Item No	EUR	A	B	C	D	F	H	J
SS:33762A		φ 33.7	28	22	t2.0	φ 12	90	φ 16m/m
SS:42462A		φ 42.4	33	28	t2.0	φ 12	90	φ 16m/m
SS:48362A		φ 48.3	37	31	t2.0	φ 13	90	φ 19m/m



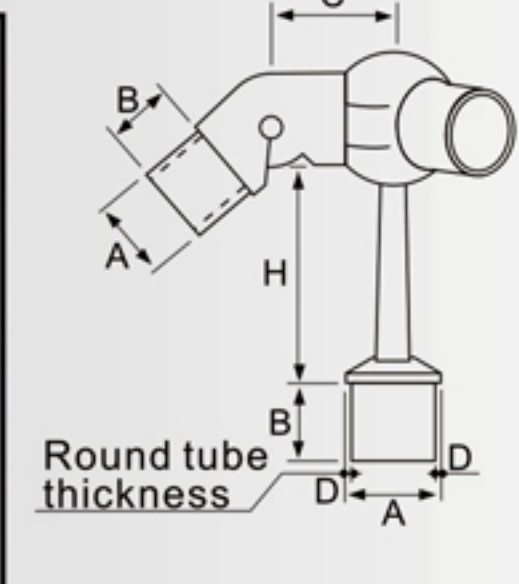
Item No	EUR	A	B	C	D	F	H	J
SS:33762R		φ 33.7	28	49	t2.0	φ 12	90	φ 16m/m
SS:42462R		φ 42.4	33	61	t2.0	φ 12	90	φ 16m/m
SS:48362R		φ 48.3	37	68	t2.0	φ 13	90	φ 19m/m



Item No	EUR	A	B	C	D	F	H	J
SS:33762L		φ 33.7	28	49	t2.0	φ 12	90	φ 16m/m
SS:42462L		φ 42.4	33	61	t2.0	φ 12	90	φ 16m/m
SS:48362L		φ 48.3	37	68	t2.0	φ 13	90	φ 19m/m



Item No	EUR	A	B	C	D
SS:33763A		φ 33.7	28	44	t2.0m/m
SS:42463A		φ 42.4	33	55	t2.0m/m
SS:48363A		φ 48.3	37	62	t2.0m/m



Item No	EUR	A	B	C	D	F	H	J
SS:33763EX		φ 33.7	28	44	t2.0	φ 12	90	φ 16m/m
SS:42463EX		φ 42.4	33	55	t2.0	φ 12	90	φ 16m/m
SS:48363EX		φ 48.3	37	62	t2.0	φ 13	90	φ 19m/m