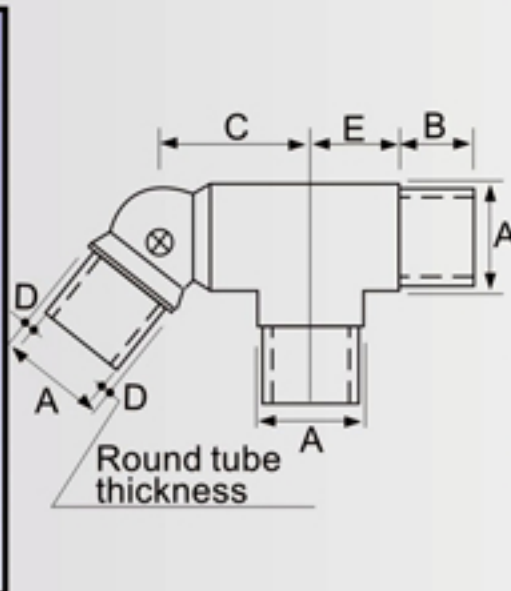
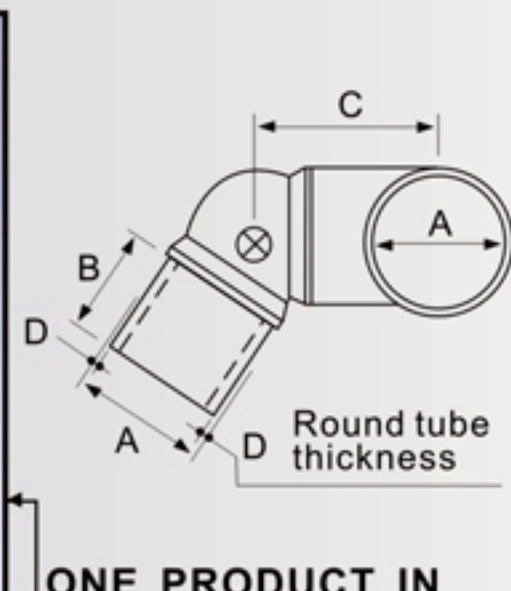


Item No	EUR	A	B	C	D
SS:33764		φ 33.7	28	16	t2.0m/m
SS:42464		φ 42.4	33	20	t2.0m/m
SS:48364		φ 48.3	37	22	t2.0m/m

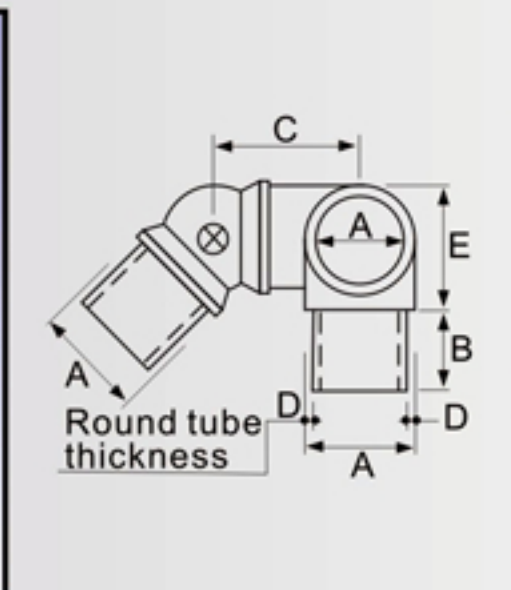
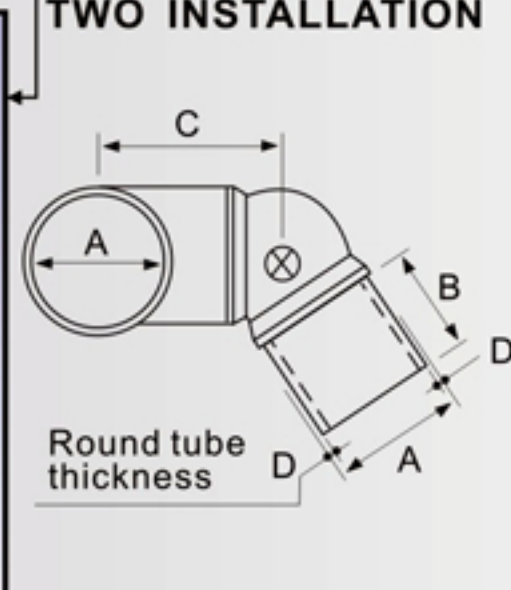


Item No	EUR	A	B	C	D	E
SS:33764A		φ 33.7	28	43	t2.0	27m/m
SS:42464A		φ 42.4	33	54	t2.0	34m/m
SS:48364A		φ 48.3	37	60	t2.0	37m/m

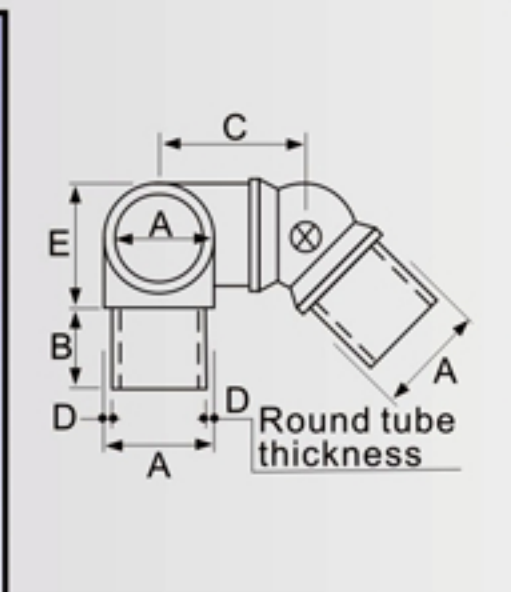


Item No	EUR	A	B	C	D
SS:33764RL		φ 33.7	28	43	t2.0m/m
SS:42464RL		φ 42.4	33	54	t2.0m/m
SS:48364RL		φ 48.3	37	60	t2.0m/m

ONE PRODUCT IN TWO INSTALLATION



Item No	EUR	A	B	C	D	E
SS:33764R3		φ 33.7	28	43	t2.0	27m/m
SS:42464R3		φ 42.4	33	54	t2.0	34m/m
SS:48364R3		φ 48.3	37	60	t2.0	37m/m



Item No	EUR	A	B	C	D	E
SS:33764L3		φ 33.7	28	43	t2.0	27m/m
SS:42464L3		φ 42.4	33	54	t2.0	34m/m
SS:48364L3		φ 48.3	37	60	t2.0	37m/m