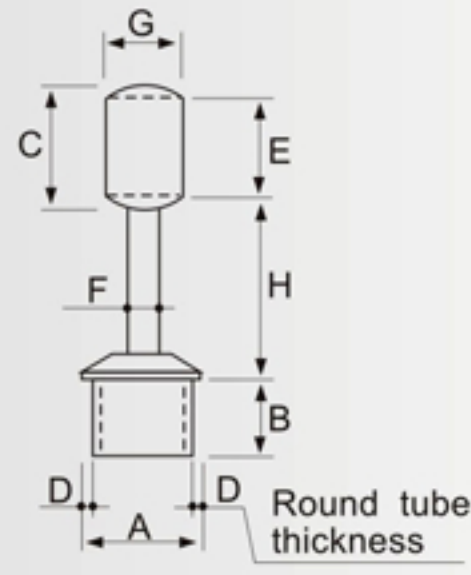


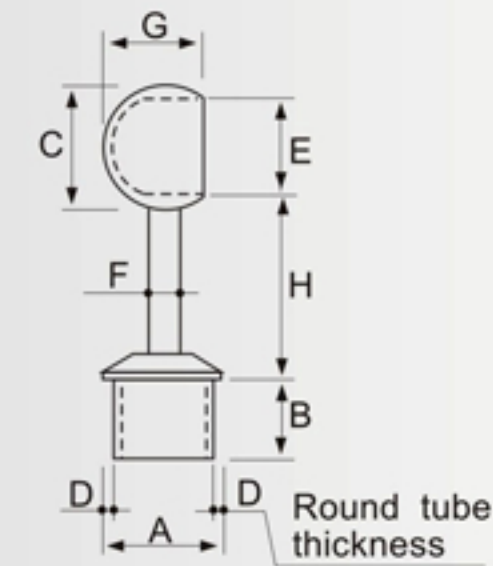
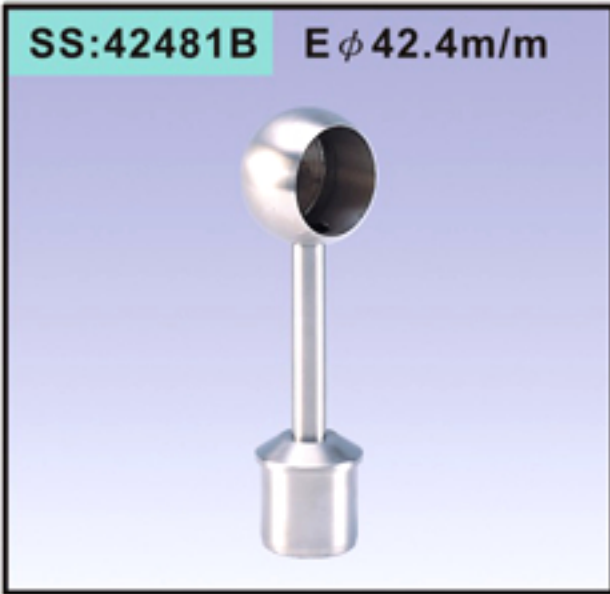


DAH SHI

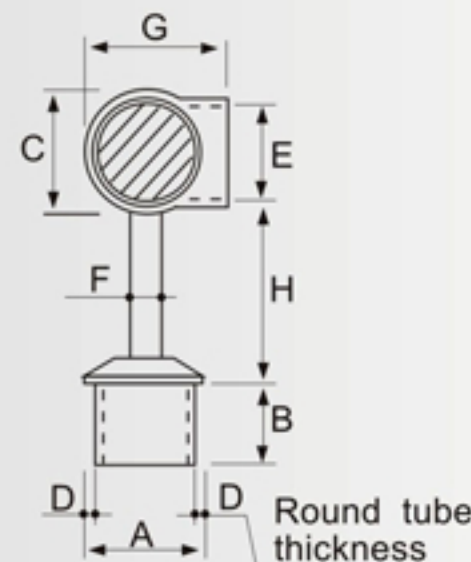
THE COMPANY PROVIDE OWN PRECISION DE-WAXING CASTING FACTORY WITH STRICTLY CONTROLQUALITY MANAGEMENT AND AMPLE STOCK,WE ARE WELCOME ALL CLIENTS PROVIDE SAMPLE OR DRAWING FOR US TO PRODUCE ACCURATE DE-WAXING PIECE FOR MUTUAL INTEREST.



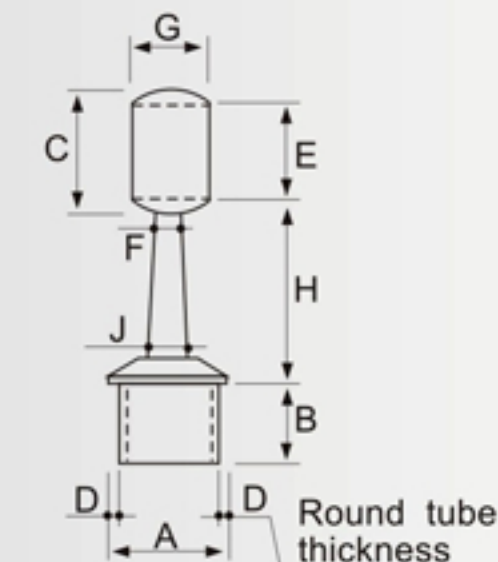
Item No	EUR	A	B	C	D	E	F	G	H
SS:33781A		ϕ 33.7	28	ϕ 46	t 2.0	ϕ 33.7	ϕ 12	29	90m/m
SS:42481A		ϕ 42.4	33	ϕ 54	t 2.0	ϕ 42.4	ϕ 14	32	90m/m
SS:48381A		ϕ 48.3	37	ϕ 62	t 2.0	ϕ 48.3	ϕ 16	36	90m/m



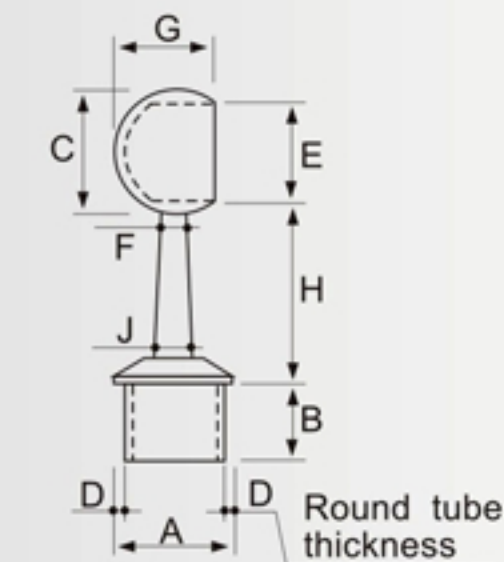
Item No	EUR	A	B	C	D	E	F	G	H
SS:33781B		ϕ 33.7	28	ϕ 46	t 2.0	ϕ 33.7	ϕ 12	38	90m/m
SS:42481B		ϕ 42.4	33	ϕ 54	t 2.0	ϕ 42.4	ϕ 14	43	90m/m
SS:48381B		ϕ 48.3	37	ϕ 62	t 2.0	ϕ 48.3	ϕ 16	50	90m/m



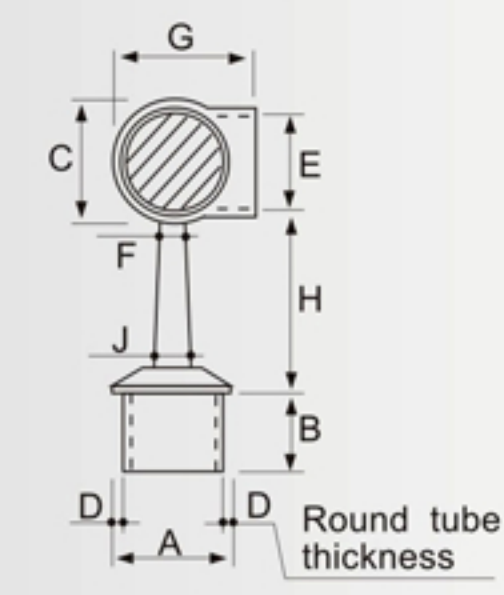
Item No	EUR	A	B	C	D	E	F	G	H
SS:33781C		ϕ 33.7	28	ϕ 46	t 2.0	ϕ 33.7	ϕ 12	50	90m/m
SS:42481C		ϕ 42.4	33	ϕ 54	t 2.0	ϕ 42.4	ϕ 14	60	90m/m
SS:48381C		ϕ 48.3	37	ϕ 62	t 2.0	ϕ 48.3	ϕ 16	66	90m/m



Item No	EUR	A	B	C	D	E	F	G	H	J
SS:33782A		ϕ 33.7	28	ϕ 46	t 2.0	ϕ 33.7	ϕ 12	29	90	ϕ 16m/m
SS:42482A		ϕ 42.4	33	ϕ 54	t 2.0	ϕ 42.4	ϕ 12	32	90	ϕ 16m/m
SS:48382A		ϕ 48.3	37	ϕ 62	t 2.0	ϕ 48.3	ϕ 13	36	90	ϕ 19m/m



Item No	EUR	A	B	C	D	E	F	G	H	J
SS:33782B		ϕ 33.7	28	ϕ 46	t 2.0	ϕ 33.7	ϕ 12	38	90	ϕ 16m/m
SS:42482B		ϕ 42.4	33	ϕ 54	t 2.0	ϕ 42.4	ϕ 12	43	90	ϕ 16m/m
SS:48382B		ϕ 48.3	37	ϕ 62	t 2.0	ϕ 48.3	ϕ 13	50	90	ϕ 19m/m



Item No	EUR	A	B	C	D	E	F	G	H	J
SS:33782C		ϕ 33.7	28	ϕ 46	t 2.0	ϕ 33.7	ϕ 12	50	90	ϕ 16m/m
SS:42482C		ϕ 42.4	33	ϕ 54	t 2.0	ϕ 42.4	ϕ 12	60	90	ϕ 16m/m
SS:48382C		ϕ 48.3	37	ϕ 62	t 2.0	ϕ 48.3	ϕ 13	66	90	ϕ 19m/m