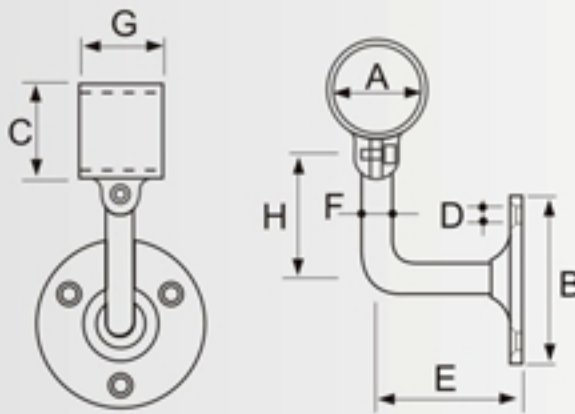
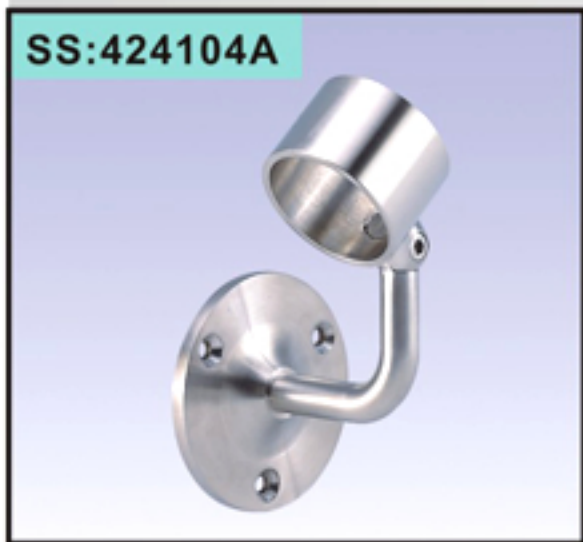
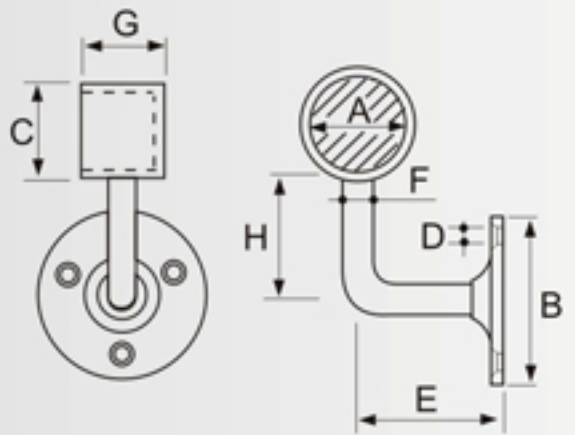


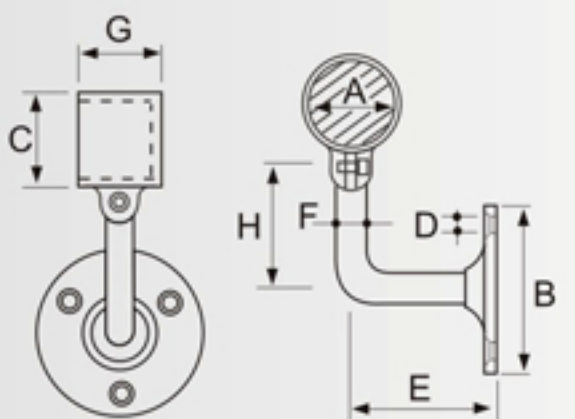
Item No	EUR	A	B	C	D	E	F	G	H
SS:337104		φ 33.7	φ 64.8	φ 39	φ 5.5	63.5	φ 12	30	56m/m
SS:424104		φ 42.4	φ 74.6	φ 48	φ 5.5	63.5	φ 12	33	56m/m
SS:483104		φ 48.3	φ 82.4	φ 54	φ 5.5	63.5	φ 14	35	56m/m



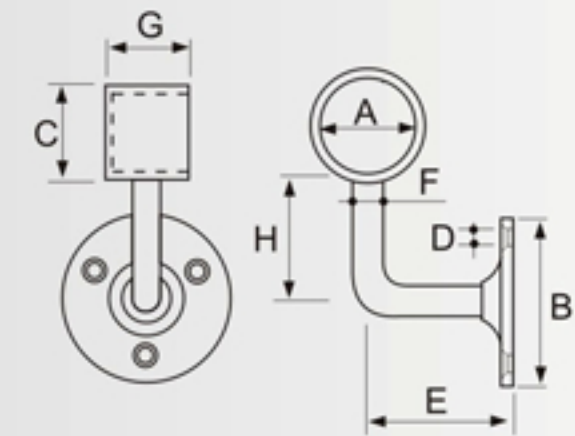
Item No	EUR	A	B	C	D	E	F	G	H
SS:337104A		φ 33.7	φ 64.8	φ 39	φ 5.5	63.5	φ 12	30	56m/m
SS:424104A		φ 42.4	φ 74.6	φ 48	φ 5.5	63.5	φ 12	33	56m/m
SS:483104A		φ 48.3	φ 82.4	φ 54	φ 5.5	63.5	φ 14	35	56m/m



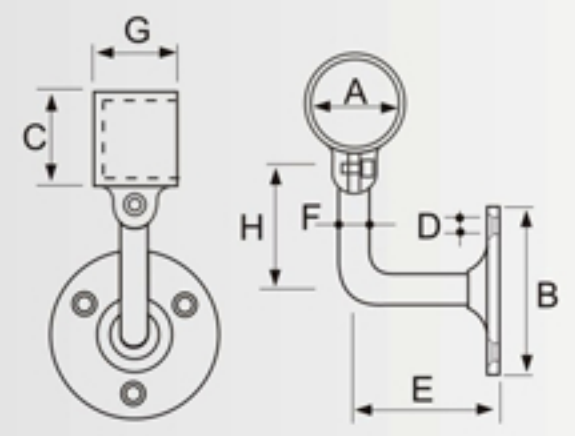
Item No	EUR	A	B	C	D	E	F	G	H
SS:337105R		φ 33.7	φ 64.8	φ 39	φ 5.5	63.5	φ 12	30	56m/m
SS:424105R		φ 42.4	φ 74.6	φ 48	φ 5.5	63.5	φ 12	33	56m/m
SS:483105R		φ 48.3	φ 82.4	φ 54	φ 5.5	63.5	φ 14	35	56m/m



Item No	EUR	A	B	C	D	E	F	G	H
SS:337105AR		φ 33.7	φ 64.8	φ 39	φ 5.5	63.5	φ 12	30	56m/m
SS:424105AR		φ 42.4	φ 74.6	φ 48	φ 5.5	63.5	φ 12	33	56m/m
SS:483105AR		φ 48.3	φ 82.4	φ 54	φ 5.5	63.5	φ 14	35	56m/m



Item No	EUR	A	B	C	D	E	F	G	H
SS:337105L		φ 33.7	φ 64.8	φ 39	φ 5.5	63.5	φ 12	30	56m/m
SS:424105L		φ 42.4	φ 74.6	φ 48	φ 5.5	63.5	φ 12	33	56m/m
SS:483105L		φ 48.3	φ 82.4	φ 54	φ 5.5	63.5	φ 14	35	56m/m



Item No	EUR	A	B	C	D	E	F	G	H
SS:337105AL		φ 33.7	φ 64.8	φ 39	φ 5.5	63.5	φ 12	30	56m/m
SS:424105AL		φ 42.4	φ 74.6	φ 48	φ 5.5	63.5	φ 12	33	56m/m
SS:483105AL		φ 48.3	φ 82.4	φ 54	φ 5.5	63.5	φ 14	35	56m/m