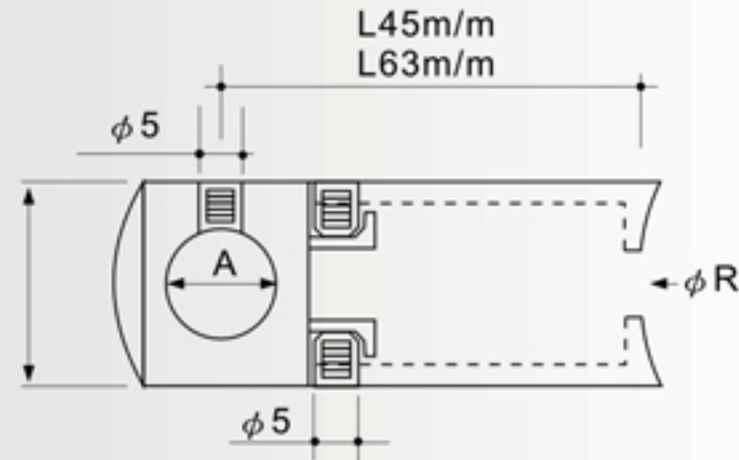
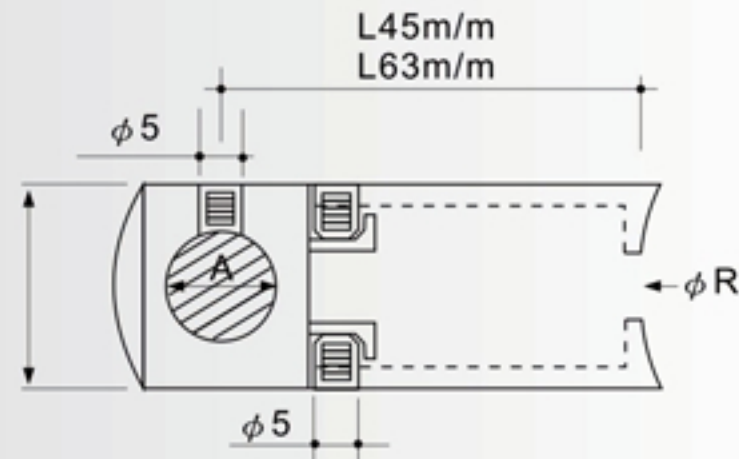


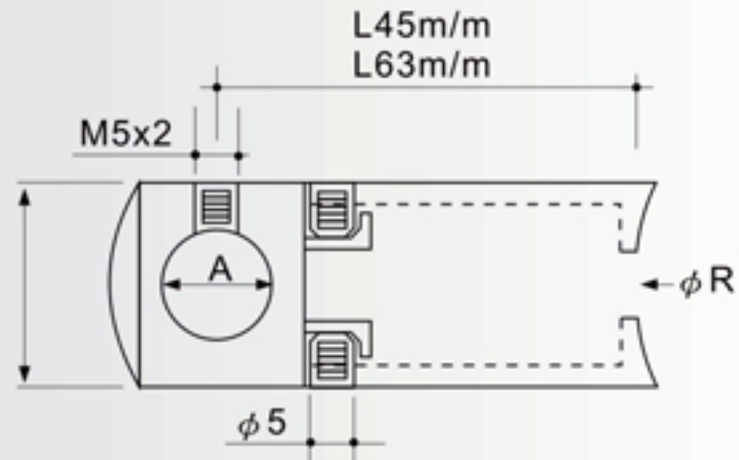
LONGISH AND ANGLE ADJUSTABLE FITTINGS FOR STAINLESS STEEL BARS



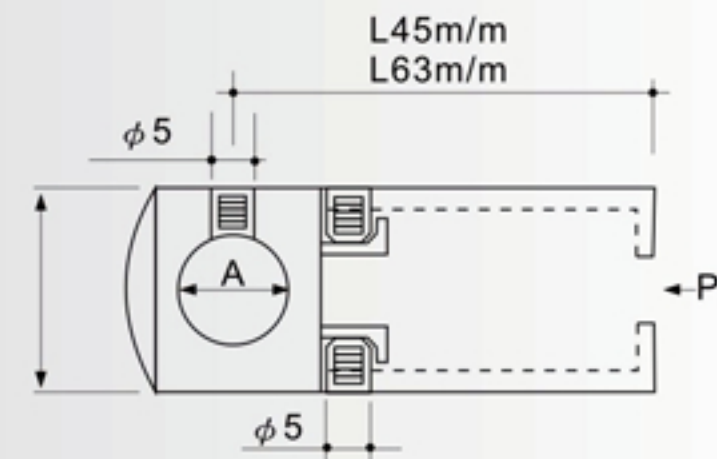
Item No	A	R(1)	R(2)	R(3)	L(3)	EUR	L(4)	EUR
SS:100111AL	ϕ 10	ϕ 33.7	ϕ 42.4	ϕ 48.3	45		63m/m	
SS:120111AL	ϕ 12	ϕ 33.7	ϕ 42.4	ϕ 48.3	45		63m/m	



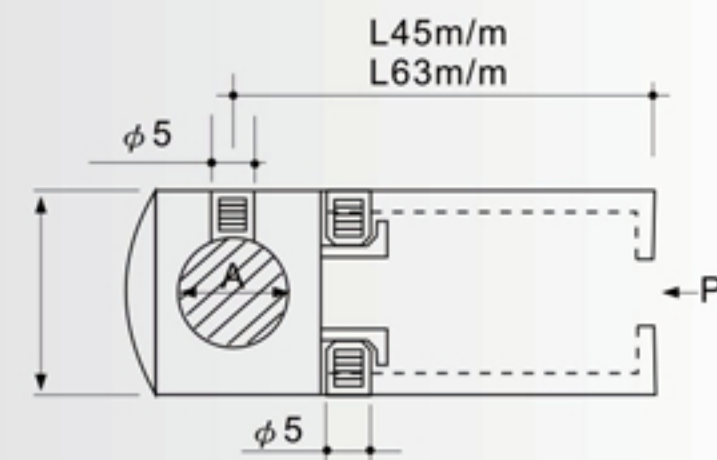
Item No	A	R(1)	R(2)	R(3)	L(3)	EUR	L(4)	EUR
SS:100111BL	ϕ 10	ϕ 33.7	ϕ 42.4	ϕ 48.3	45		63m/m	
SS:120111BL	ϕ 12	ϕ 33.7	ϕ 42.4	ϕ 48.3	45		63m/m	



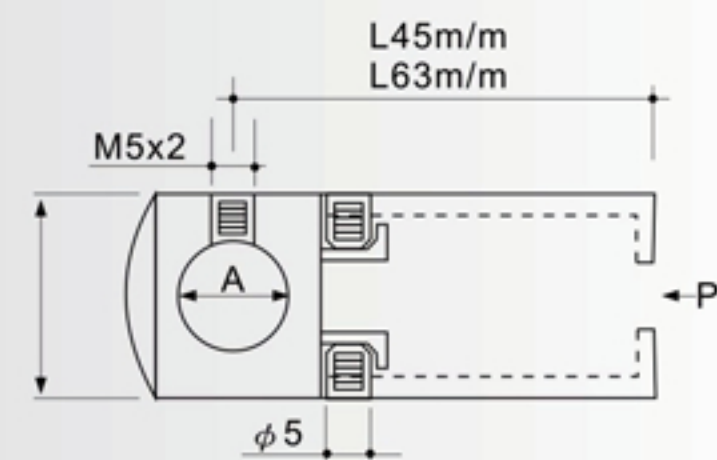
Item No	A	R(1)	R(2)	R(3)	L(3)	EUR	L(4)	EUR
SS:100111CL	ϕ 10	ϕ 33.7	ϕ 42.4	ϕ 48.3	45		63m/m	
SS:120111CL	ϕ 12	ϕ 33.7	ϕ 42.4	ϕ 48.3	45		63m/m	



Item No	A	L(3)	EUR	L(4)	EUR
SS:100111APL	ϕ 10	45		63m/m	
SS:120111APL	ϕ 12	45		63m/m	



Item No	A	L(3)	EUR	L(4)	EUR
SS:100111BPL	ϕ 10	45		63m/m	
SS:120111BPL	ϕ 12	45		63m/m	



Item No	A	L(3)	EUR	L(4)	EUR
SS:100111CPL	ϕ 10	45		63m/m	
SS:120111CPL	ϕ 12	45		63m/m	