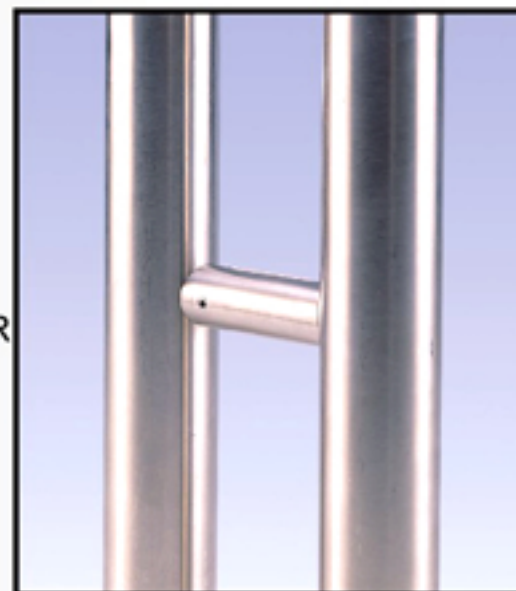
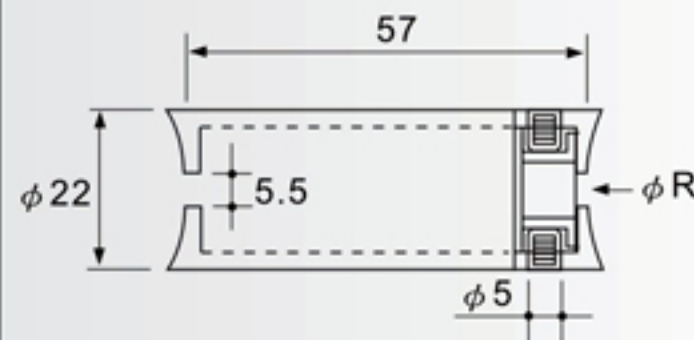
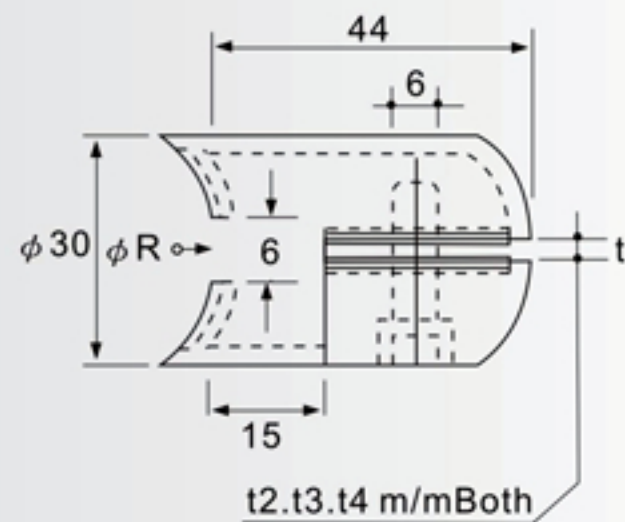


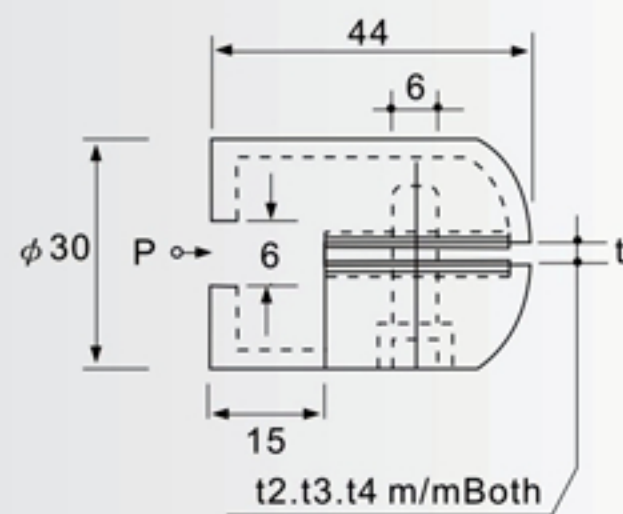
Item No	EUR	R
SS:424113 L40		φ 42.4m/m
SS:483113 L40		φ 48.3m/m



Item No	EUR	R
SS:424113 L57		φ 42.4m/m
SS:483113 L57		φ 48.3m/m

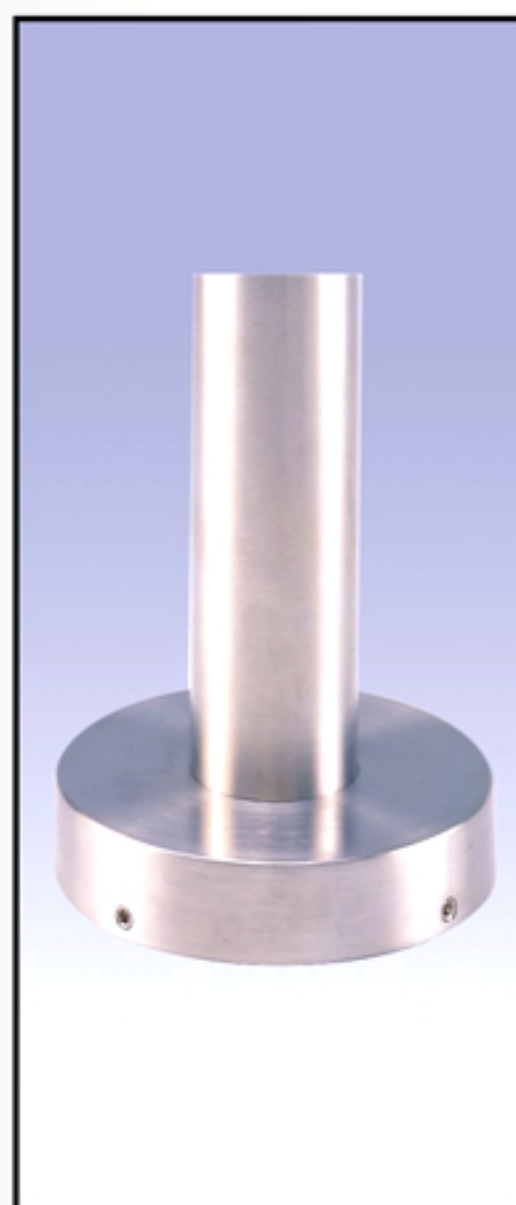
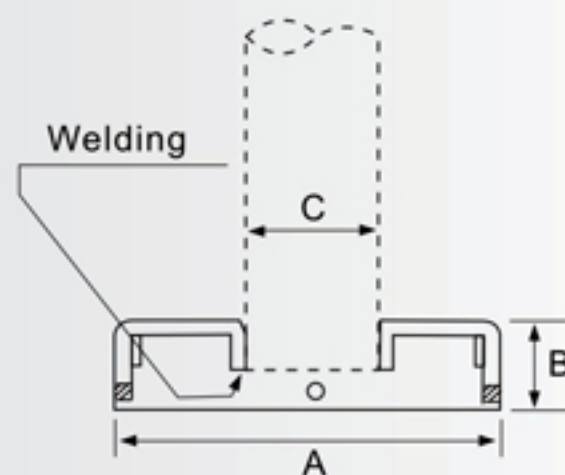


Item No	EUR	R	t(2)	t(3)	t(4)
SS:424114A		φ 42.4	2.0	3.0	4.0m/m
SS:483114A		φ 48.3	2.0	3.0	4.0m/m
SS:603114A		φ 60.3	2.0	3.0	4.0m/m

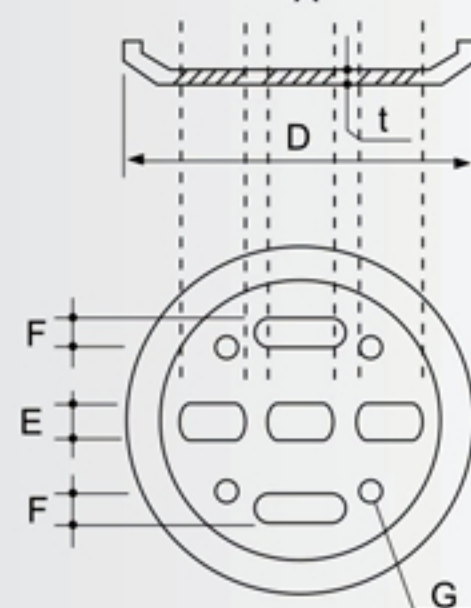


The usage of two gasket sizes, thickness 2.0mm and 1.5mm (1)Thickness 2.0mm gaskets can be used with thickness 2.0mm sheets. (2)Thickness 1.5mm gaskets can be used with thickness 3.0mm sheets. (3)For thickness 4.0mm sheets, there is no need to use any gaskets. Two sizes of gaskets are enclosed as purchase However, the gaskets price can be subtrated from the selling price, if they are not need. Please infrom in advance before placing arders.

Item No	EUR	P	t(2)	t(3)	t(4)
SS:424114P		Plate	2.0	3.0	4.0m/m



Item No	EUR	A	B	C
SS:424115-1		φ 110	25	φ 42.4m/m
SS:483115-1		φ 120	25	φ 48.3m/m
SS:603115-1		φ 120	25	φ 60.3m/m



Item No	EUR	D	E	F	G	t
SS:424115-2		φ 103	13.5	11	φ 6.5	4.0m/m
SS:483115-2		φ 113	13.5	11	φ 6.5	4.0m/m
SS:603115-2		φ 113	13.5	11	φ 6.5	4.0m/m

SS:424115-1
SS:424115-2 one set