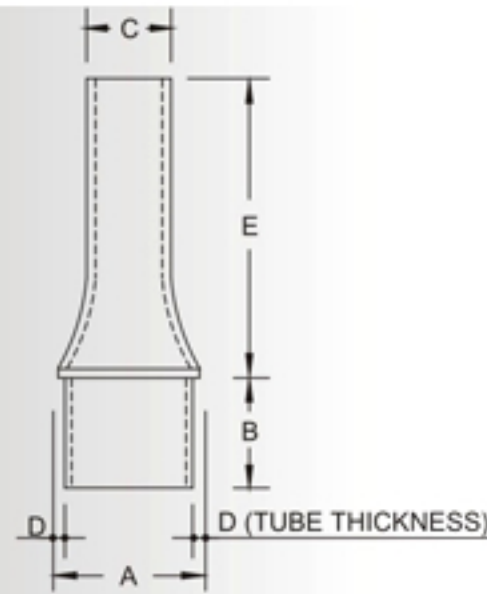
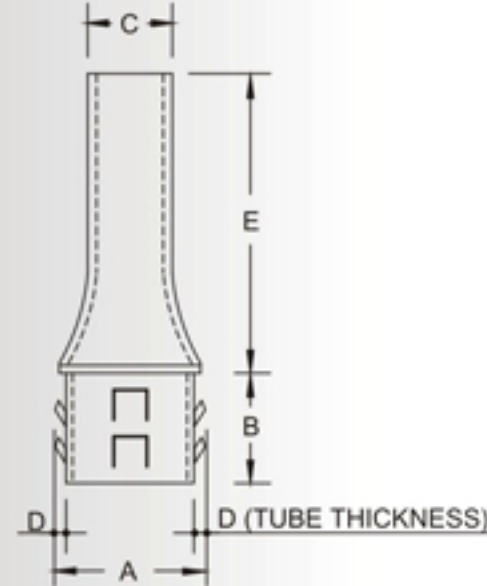




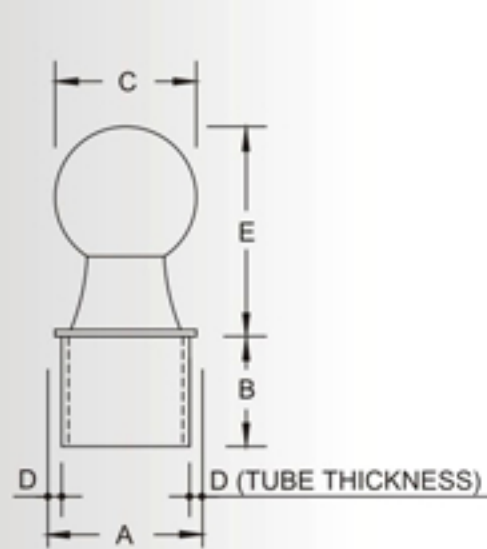
All assembled fittings are accepted titanium plated in golden color. Please call for the price of titanium coating.



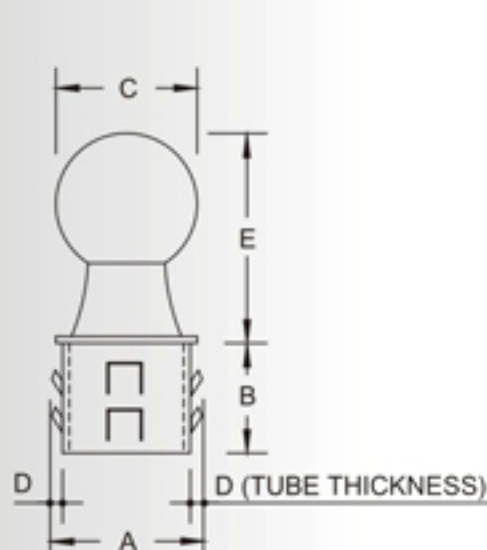
Item No	EUR	A	B	C	D	E
SS:33720 A		$\phi 33.7$	28.	$\phi 19.$	t 2.0	90. m/m
SS:40020 A		$\phi 40.$	31.	$\phi 22.2$	t 2.0	90. m/m
SS:42420 A		$\phi 42.4$	33.	$\phi 25.4$	t 2.0	90. m/m
SS:48320 A		$\phi 48.3$	37.	$\phi 25.4$	t 2.0	100. m/m



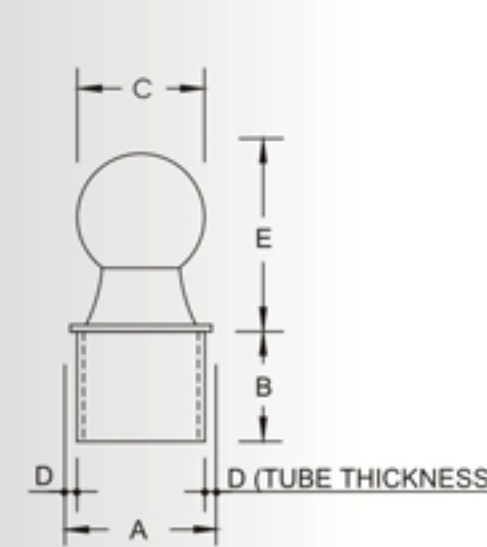
Item No	EUR	A	B	C	D	E
SS:33720 B		$\phi 33.7$	28.	$\phi 19.$	t 1.5~2.6	90. m/m
SS:40020 B		$\phi 40.$	31.	$\phi 22.2$	t 1.5~2.6	90. m/m
SS:42420 B		$\phi 42.4$	33.	$\phi 25.4$	t 1.5~2.6	90. m/m
SS:48320 B		$\phi 48.3$	37.	$\phi 25.4$	t 1.5~2.6	100. m/m



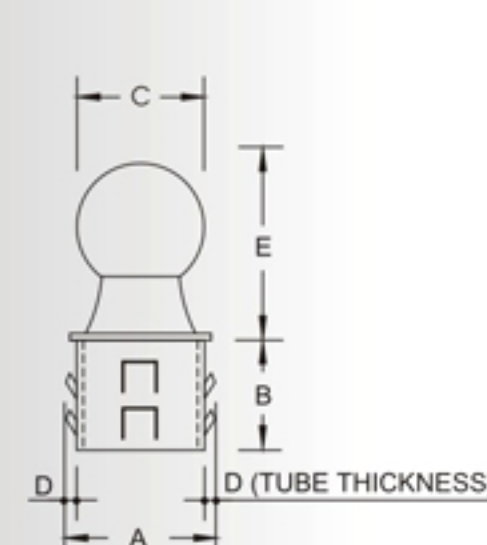
Item No	EUR	A	B	C	D	E
SS:30021 A		$\phi 30.$	24.	$\phi 30.$	t 2.0	45. m/m
SS:33721 A		$\phi 33.7$	28.	$\phi 33.7$	t 2.0	51. m/m
SS:40021 A		$\phi 40.$	31.	$\phi 40.$	t 2.0	60. m/m
SS:42421 A		$\phi 42.4$	33.	$\phi 42.4$	t 2.0	63. m/m
SS:48321 A		$\phi 48.3$	37.	$\phi 48.3$	t 2.0	72. m/m
SS:60321 A		$\phi 60.3$	41.	$\phi 60.3$	t 2.0	90. m/m
SS:76121 A		$\phi 76.3$	45.	$\phi 76.1$	t 2.0	114. m/m



Item No	EUR	A	B	C	D	E
SS:30021 B		$\phi 30.$	24.	$\phi 30.$	t 1.5~2.6	45. m/m
SS:33721 B		$\phi 33.7$	28.	$\phi 33.7$	t 1.5~2.6	51. m/m
SS:40021 B		$\phi 40.$	31.	$\phi 40.$	t 1.5~2.6	60. m/m
SS:42421 B		$\phi 42.4$	33.	$\phi 42.4$	t 1.5~2.6	63. m/m
SS:48321 B		$\phi 48.3$	37.	$\phi 48.3$	t 1.5~2.6	72. m/m
SS:60321 B		$\phi 60.3$	41.	$\phi 60.3$	t 2.0~3.0	90. m/m
SS:76121 B		$\phi 76.1$	45.	$\phi 76.1$	t 2.0~3.0	114. m/m



Item No	EUR	A	B	C	D	E
SS:30021 AS		$\phi 30.$	24.	$\phi 26.$	t 2.0	40. m/m
SS:33721 AS		$\phi 33.7$	28.	$\phi 30.$	t 2.0	45. m/m
SS:40021 AS		$\phi 40.$	31.	$\phi 33.7$	t 2.0	53. m/m
SS:42421 AS		$\phi 42.4$	33.	$\phi 36.$	t 2.0	58. m/m
SS:48321 AS		$\phi 48.3$	37.	$\phi 42.$	t 2.0	64. m/m
SS:60321 AS		$\phi 60.3$	41.	$\phi 52.$	t 2.0	80. m/m
SS:76121 AS		$\phi 76.1$	45.	$\phi 66.$	t 2.0	100. m/m



Item No	EUR	A	B	C	D	E
SS:30021 BS		$\phi 30.$	24.	$\phi 26.$	t 1.5~2.6	40. m/m
SS:33721 BS		$\phi 33.7$	28.	$\phi 30.$	t 1.5~2.6	45. m/m
SS:40021 BS		$\phi 40.$	31.	$\phi 33.7$	t 1.5~2.6	53. m/m
SS:42421 BS		$\phi 42.4$	33.	$\phi 36.$	t 1.5~2.6	58. m/m
SS:48321 BS		$\phi 48.3$	37.	$\phi 42.$	t 1.5~2.6	64. m/m
SS:60321 BS		$\phi 60.3$	41.	$\phi 52.$	t 2.0~3.0	80. m/m
SS:76121 BS		$\phi 76.1$	45.	$\phi 66.$	t 2.0~3.0	100. m/m