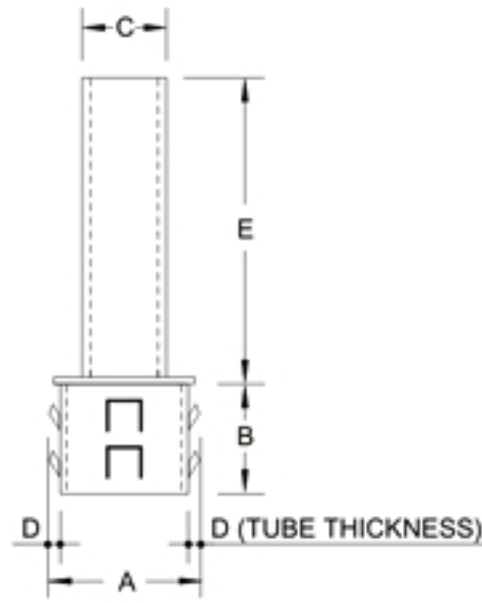
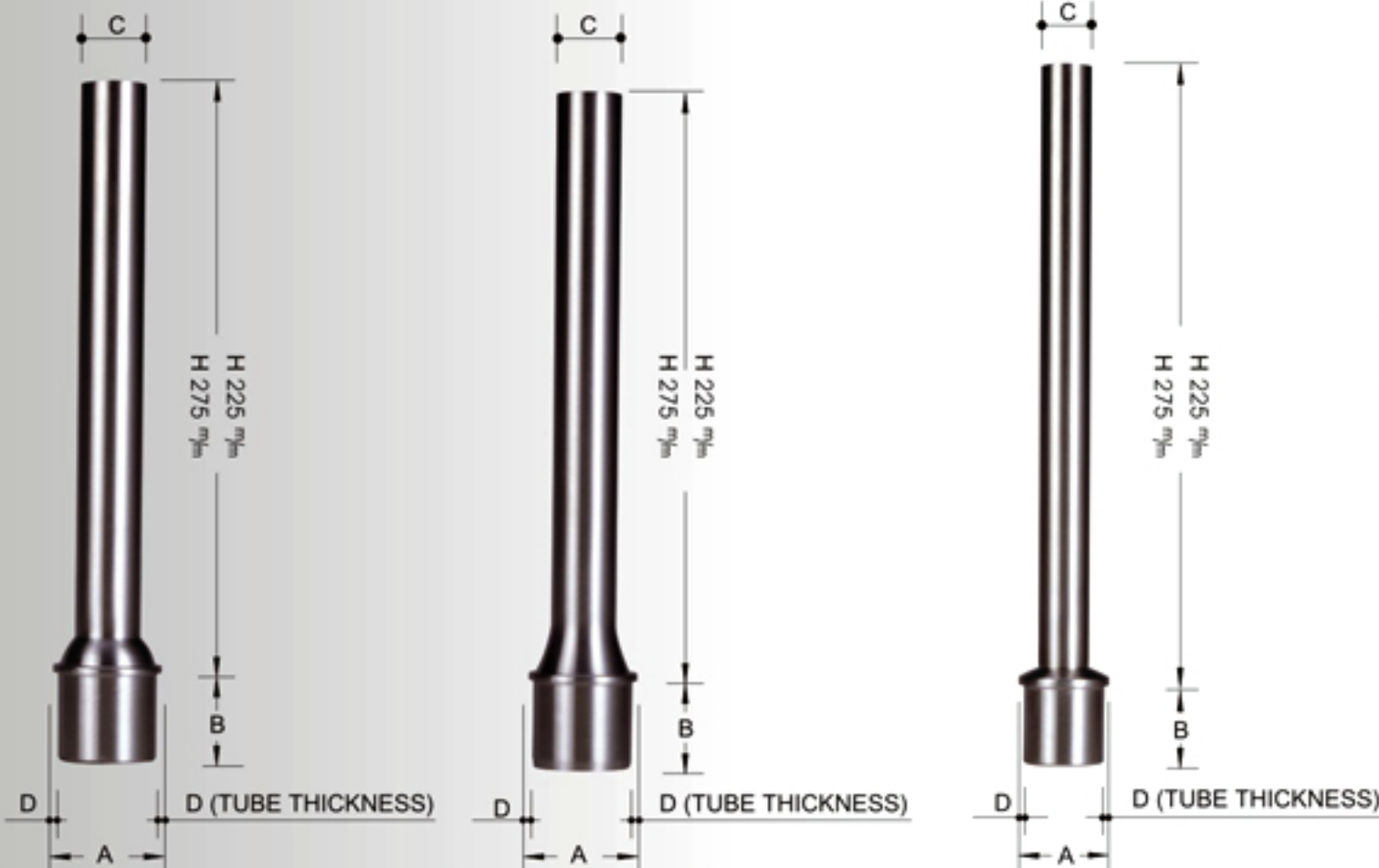


Item No	EUR	A	B	C	D	E
SS:33722A		φ33.7	28.	φ19.	t 2.0	90. m/m
SS:40022A		φ40.	31.	φ22.2	t 2.0	90. m/m
SS:42422A		φ42.4	33.	φ25.4	t 2.0	90. m/m
SS:48322A		φ48.3	37.	φ25.4	t 2.0	100. m/m



Item No	EUR	A	B	C	D	E
SS:33722B		φ33.7	28.	φ19.	t 1.5~2.6	90. m/m
SS:40022B		φ40.	31.	φ22.2	t 1.5~2.6	90. m/m
SS:42422B		φ42.4	33.	φ25.4	t 1.5~2.6	90. m/m
SS:48322B		φ48.3	37.	φ25.4	t 1.5~2.6	100. m/m

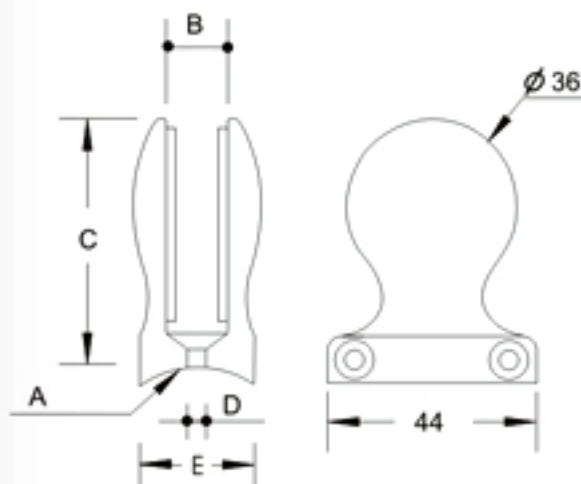
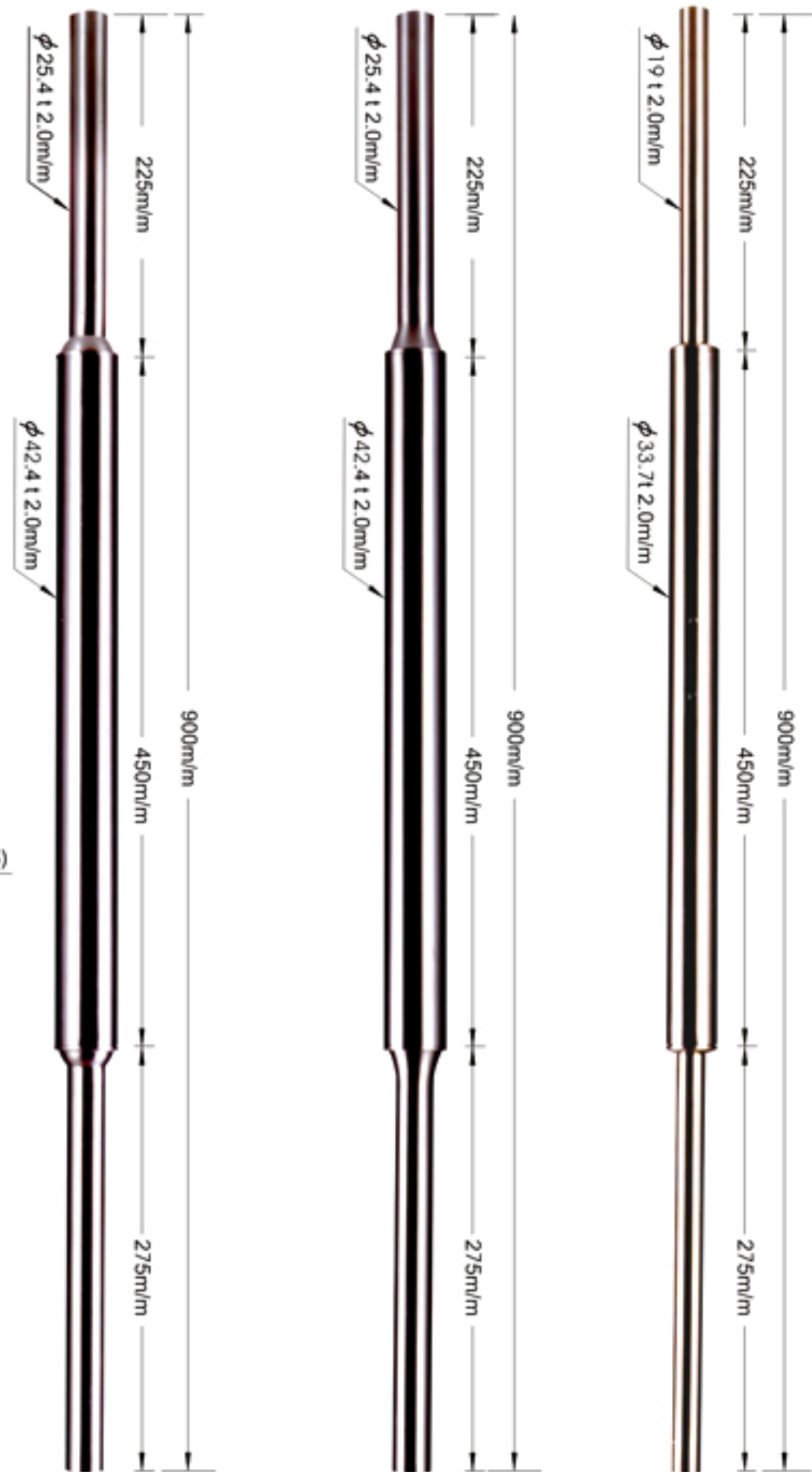


SS:42412 AL

SS:42420 AL

SS:33722 AL

Item No	A	B	C	D	H(1)	EUR	H(2)	EUR
SS:33712AL	φ33.7	28.	φ19.	t 2.0	225.		275 m/m	
SS:42412AL	φ42.4	33.	φ25.4	t 2.0	225.		275 m/m	
SS:33720AL	φ33.7	28.	φ19.	t 2.0	225.		275 m/m	
SS:42420AL	φ42.4	33.	φ25.4	t 2.0	225.		275 m/m	
SS:33722AL	φ33.7	28.	φ19.	t 2.0	225.		275 m/m	
SS:42422AL	φ42.4	33.	φ25.4	t 2.0	225.		275 m/m	



Item No	EUR	A	B	C	D	E
SS:33723A		φR33.7	13	50.8	φ5.5	φ22. m/m
SS:40023A		φR40.	13	50.8	φ5.5	φ22. m/m
SS:42423A		φR42.4	13	50.8	φ5.5	φ22. m/m
SS:42423P		FLAT	13	50.8	φ5.5	φ22. m/m
SS:48323A		φR48.3	13	50.8	φ5.5	φ22. m/m