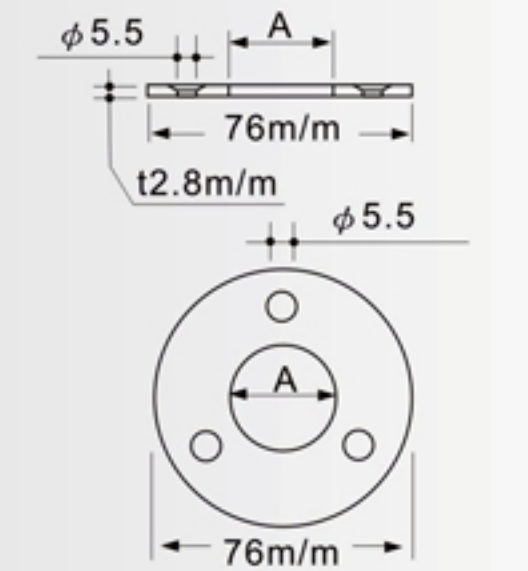
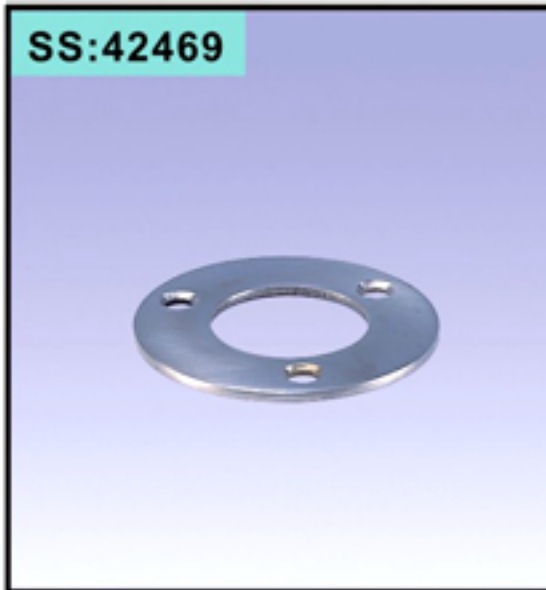
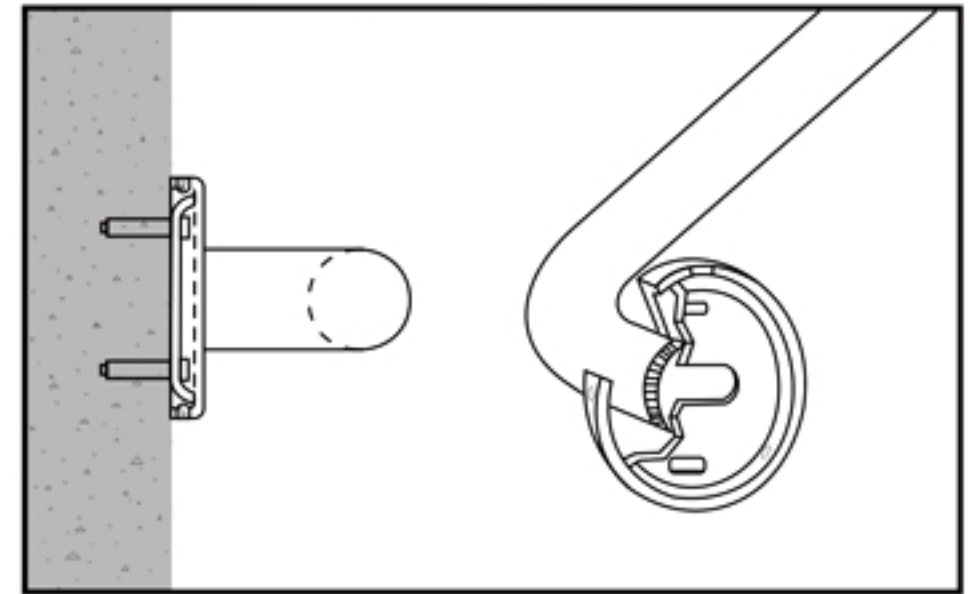
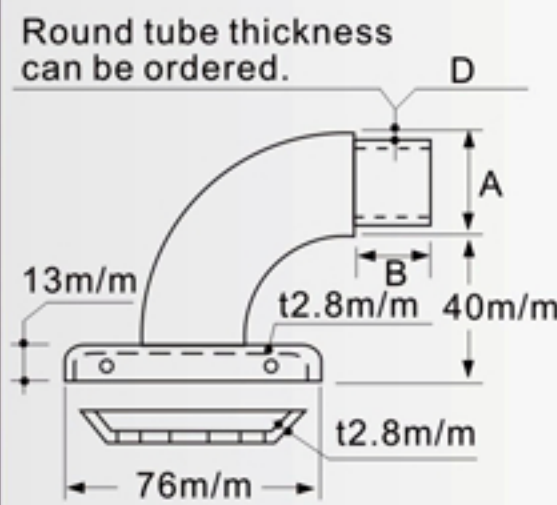
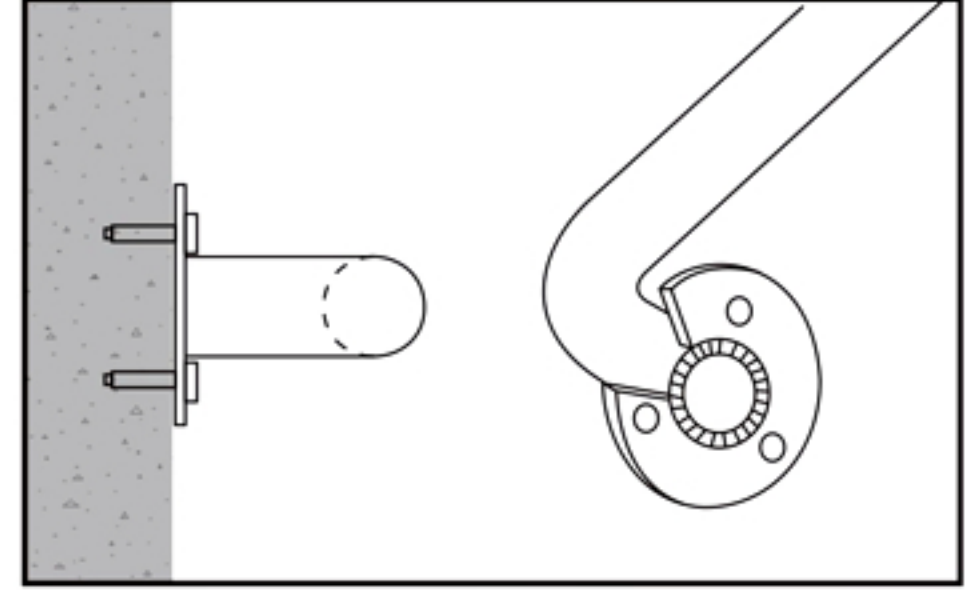


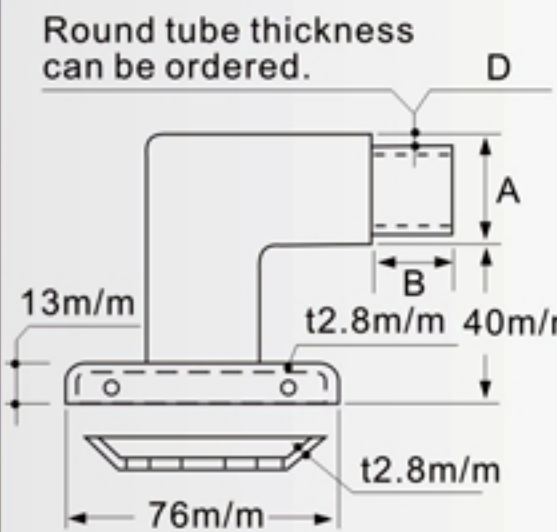
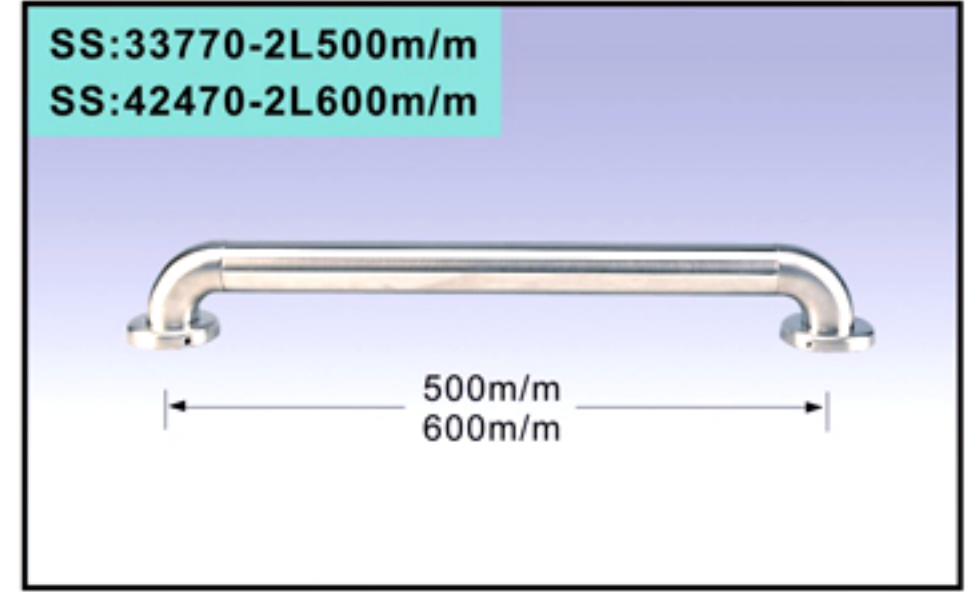
Item No	EUR	A
SS:26968		φ 26.9m/m
SS:30068		φ 30m/m
SS:33768		φ 33.7m/m
SS:42468		φ 42.4m/m
SS:48368		φ 48.3m/m
SS:60368		φ 60.3m/m



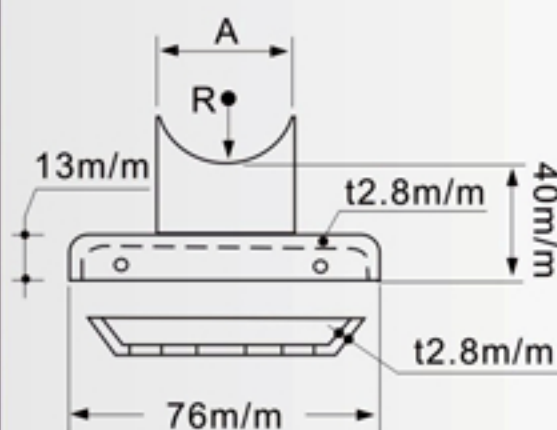
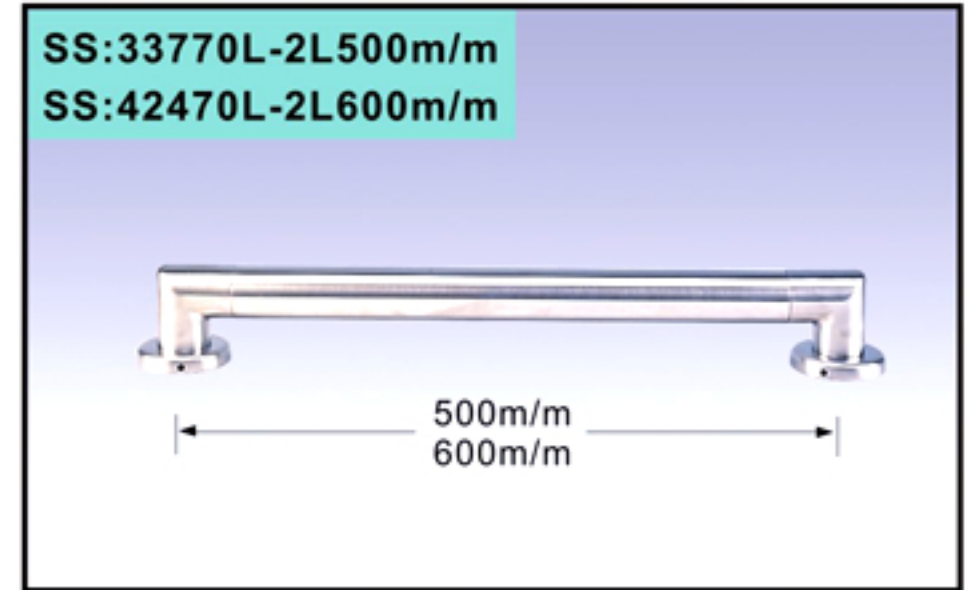
Item No	EUR	A
SS:26969		φ 26.9m/m
SS:30069		φ 30m/m
SS:33769		φ 33.7m/m
SS:42469		φ 42.4m/m
SS:48369		φ 48.3m/m



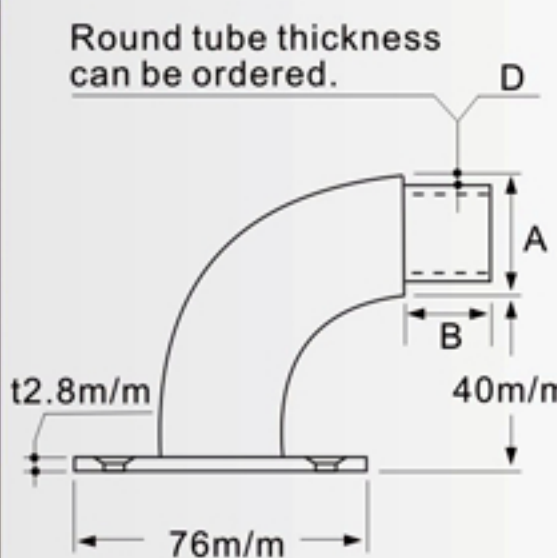
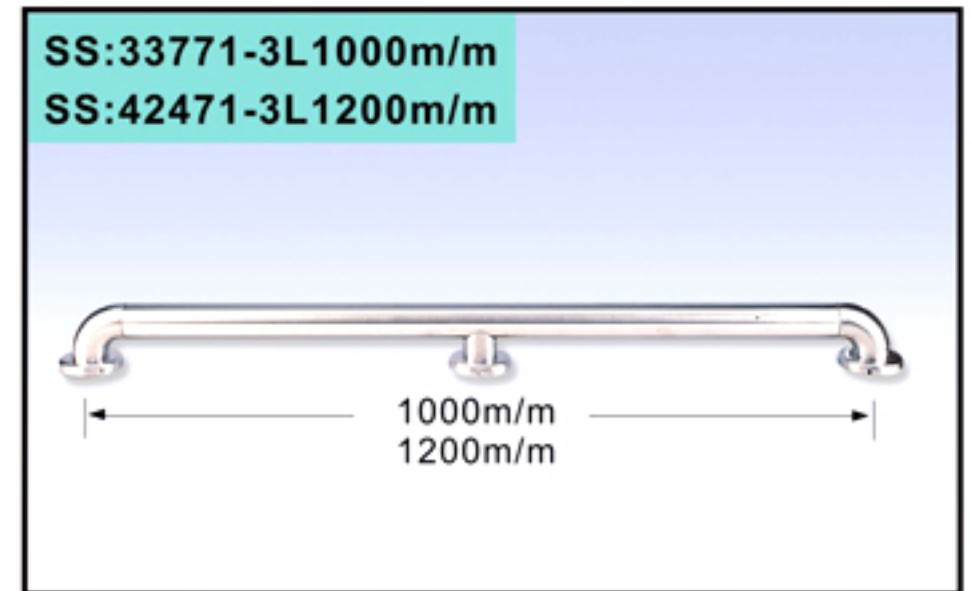
Item No	EUR	A	B	D
SS:33770		φ 33.7	28	2.0m/m
SS:42470		φ 42.4	33	2.0m/m



Item No	EUR	A	B	D
SS:33770L		φ 33.7	28	2.0m/m
SS:42470L		φ 42.4	33	2.0m/m



Item No	EUR	A	R
SS:33771		φ 33.7	φ 33.7m/m
SS:42471		φ 42.4	φ 42.4m/m



Item No	EUR	A	B	D
SS:33772		φ 33.7	28	2.0m/m
SS:42472		φ 42.4	33	2.0m/m

