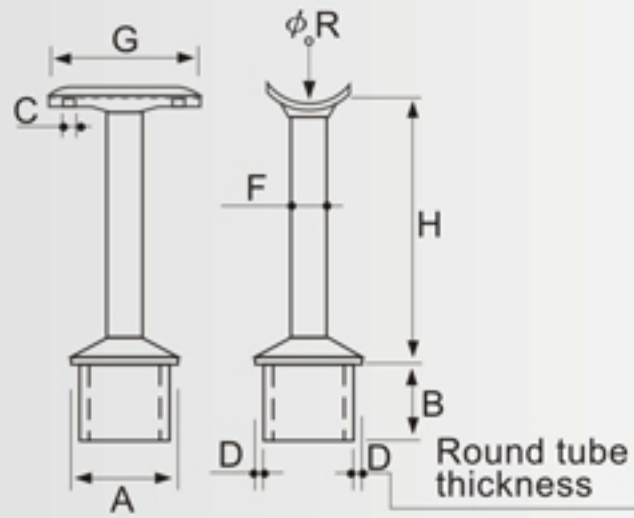


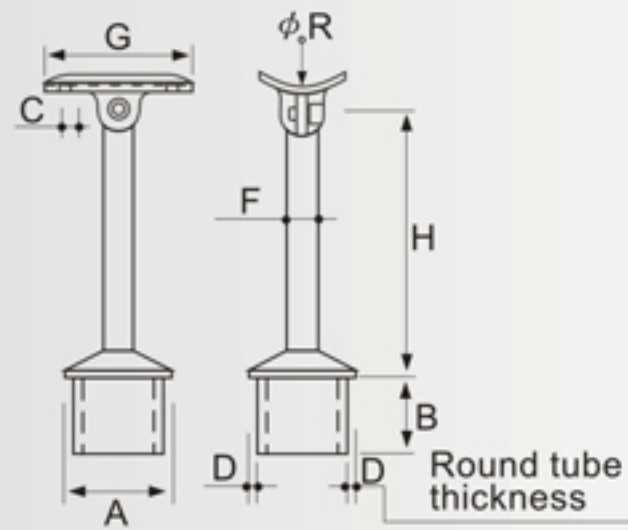
DAH SHI VARIETY HANDRIAL FITTINGS SOLVE THE PROBLEMS OF STAIR ANGLES AND CORNERS

SS:42480 ϕ R42.4m/m



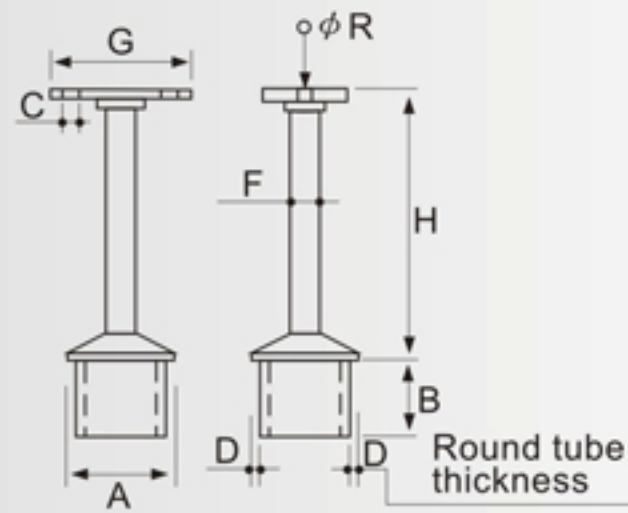
Item No	EUR	A	B	C	D	F	G	H	ϕ R
SS:33780		ϕ 33.7	28	ϕ 5.2	t2.0	ϕ 12	66	90	33.7m/m
SS:42480		ϕ 42.4	33	ϕ 5.2	t2.0	ϕ 14	66	90	42.4m/m
SS:48380		ϕ 48.3	37	ϕ 5.2	t2.0	ϕ 16	66	90	48.3m/m

SS:42480A ϕ R42.4m/m



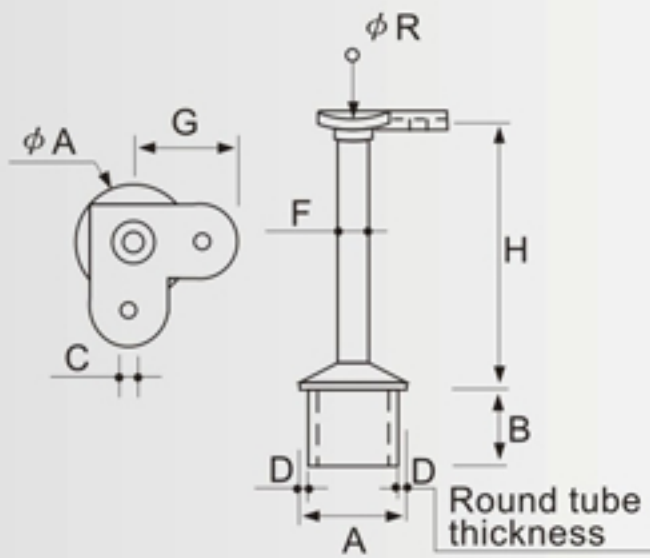
Item No	EUR	A	B	C	D	F	G	H	ϕ R
SS:33780A		ϕ 33.7	28	ϕ 5.2	t2.0	ϕ 12	66	90	33.7m/m
SS:42480A		ϕ 42.4	33	ϕ 5.2	t2.0	ϕ 14	66	90	42.4m/m
SS:48380A		ϕ 48.3	37	ϕ 5.2	t2.0	ϕ 16	66	90	48.3m/m

SS:42480P



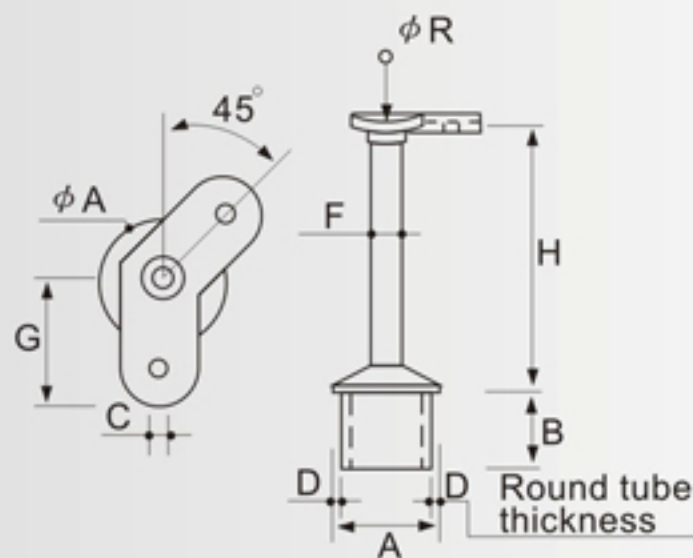
Item No	EUR	A	B	C	D	F	G	H
SS:33780P		ϕ 33.7	28	ϕ 5.2	t2.0	ϕ 12	66	90 m / m
SS:42480P		ϕ 42.4	33	ϕ 5.2	t2.0	ϕ 14	66	90 m / m
SS:48380P		ϕ 48.3	37	ϕ 5.2	t2.0	ϕ 16	66	90 m / m

SS:42480-90° ϕ R42.4m/m



Item No	EUR	A	B	C	D	F	G	H	ϕ R
SS:33780-90°		ϕ 33.7	28	ϕ 5.2	t2.0	ϕ 12	35	90	33.7m/m
SS:42480-90°		ϕ 42.4	33	ϕ 5.2	t2.0	ϕ 14	35	90	42.4m/m
SS:48380-90°		ϕ 48.3	37	ϕ 5.2	t2.0	ϕ 16	35	90	48.3m/m

SS:42480-45° ϕ R42.4m/m



Item No	EUR	A	B	C	D	F	G	H	ϕ R
SS:33780-45°		ϕ 33.7	28	ϕ 5.2	t2.0	ϕ 12	35	90	33.7m/m
SS:42480-45°		ϕ 42.4	33	ϕ 5.2	t2.0	ϕ 14	35	90	42.4m/m
SS:48380-45°		ϕ 48.3	37	ϕ 5.2	t2.0	ϕ 16	35	90	48.3m/m

