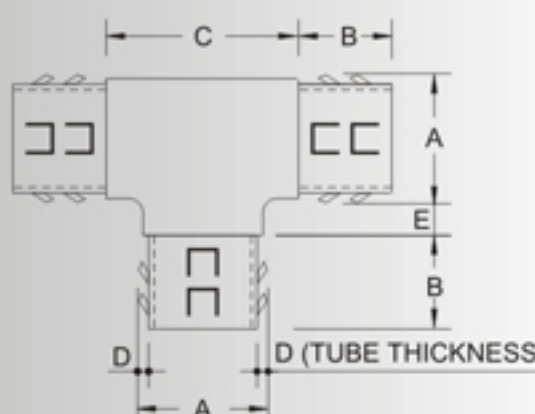
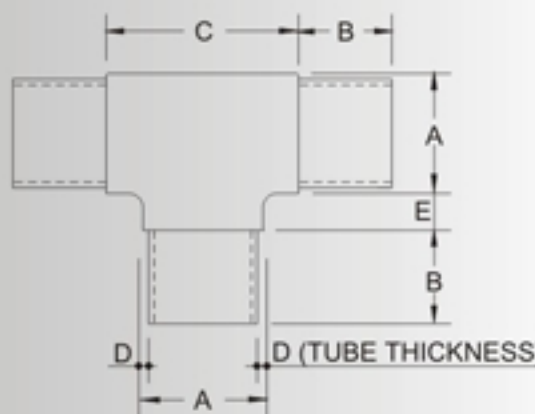
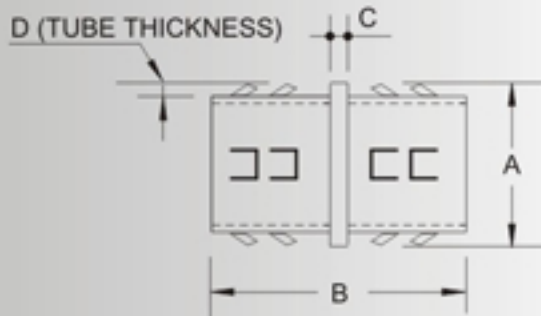
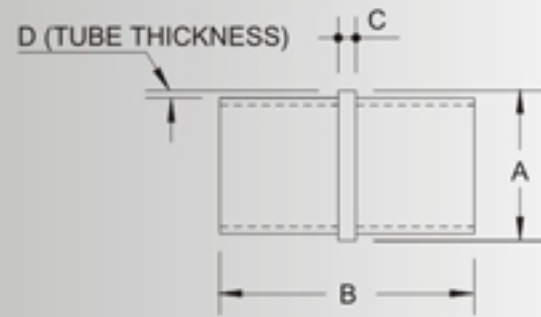
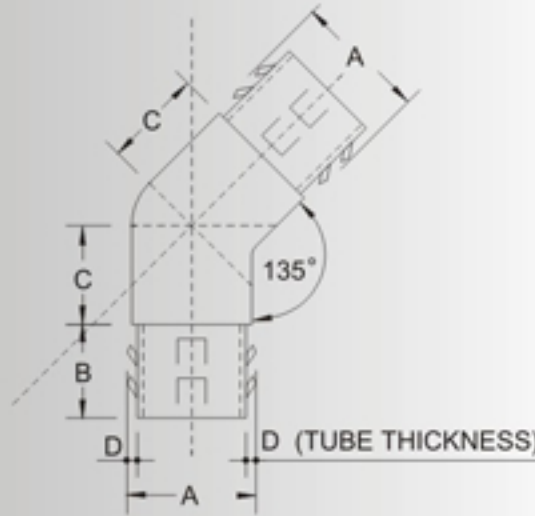
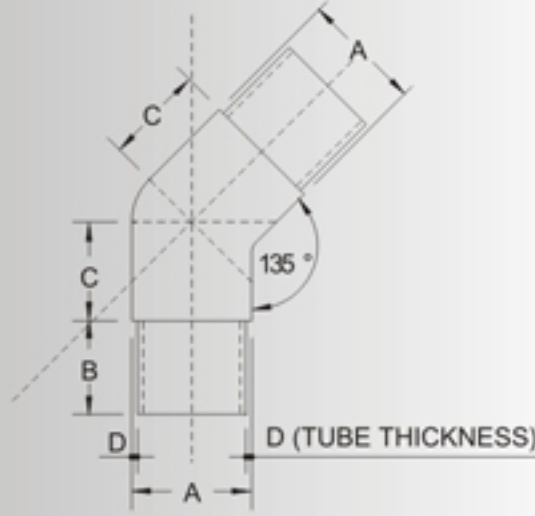


**Beside the marked tube thickness, any demanding thickness can be customized.**



Item No	EUR	A	B	C	D
SS:12003 E		φ 12.	13.	10.	t 1.5 <sup>m</sup> /m
SS:16003 E		φ 16.	15.	14.	t 1.5 <sup>m</sup> /m
SS:20003 E		φ 20.	17.	17.	t 1.5 <sup>m</sup> /m
SS:26903 E		φ 26.9	22.	21.	t 2.0 <sup>m</sup> /m
SS:30003 E		φ 30.	24.	24.	t 2.0 <sup>m</sup> /m
SS:33703 E		φ 33.7	28.	27.	t 2.0 <sup>m</sup> /m
SS:40003 E		φ 40.	31.	30.	t 2.0 <sup>m</sup> /m
SS:42403 E		φ 42.4	33.	35.	t 2.0 <sup>m</sup> /m
SS:48303 E		φ 48.3	37.	37.	t 2.0 <sup>m</sup> /m
SS:60303 E		φ 60.3	41.	45.	t 2.0 <sup>m</sup> /m
SS:76103 E		φ 76.1	45.	50.	t 2.0 <sup>m</sup> /m

Item No	EUR	A	B	C	D
SS:33703 EB		φ 33.7	28.	27.	t 1.5~2.6 <sup>m</sup> /m
SS:40003 EB		φ 40.	31.	30.	t 1.5~2.6 <sup>m</sup> /m
SS:42403 EB		φ 42.4	33.	35.	t 1.5~2.6 <sup>m</sup> /m
SS:48303 EB		φ 48.3	37.	37.	t 1.5~2.6 <sup>m</sup> /m
SS:60303 EB		φ 60.3	41.	45.	t 2.0~3.0 <sup>m</sup> /m
SS:76103 EB		φ 76.1	45.	50.	t 2.0~3.0 <sup>m</sup> /m

Item No	EUR	A	B	C	D
SS:30004 E		φ 30.	53.	4.	t 2.0 <sup>m</sup> /m
SS:33704 E		φ 33.7	67.	4.	t 2.0 <sup>m</sup> /m
SS:40004 E		φ 40.	70.	5.	t 2.0 <sup>m</sup> /m
SS:42404 E		φ 42.4	72.	5.	t 2.0 <sup>m</sup> /m
SS:48304 E		φ 48.3	80.	6.	t 2.0 <sup>m</sup> /m
SS:60304 E		φ 60.3	96.	6.	t 2.0 <sup>m</sup> /m
SS:76104 E		φ 76.1	120.	6.	t 2.0 <sup>m</sup> /m

Item No	EUR	A	B	C	D
SS:30004 EB		φ 30.	53.	4.	t 1.5~2.6 <sup>m</sup> /m
SS:33704 EB		φ 33.7	67.	4.	t 1.5~2.6 <sup>m</sup> /m
SS:40004 EB		φ 40.	70.	5.	t 1.5~2.6 <sup>m</sup> /m
SS:42404 EB		φ 42.4	72.	5.	t 1.5~2.6 <sup>m</sup> /m
SS:48304 EB		φ 48.3	80.	6.	t 1.5~2.6 <sup>m</sup> /m
SS:60304 EB		φ 60.3	96.	6.	t 2.0~3.0 <sup>m</sup> /m
SS:76104 EB		φ 76.1	120.	6.	t 2.0~3.0 <sup>m</sup> /m

Item No	EUR	A	B	C	D	E
SS:30005 E		φ 30.	24.	47.	t 2.0	9. <sup>m</sup> /m
SS:33705 E		φ 33.7	28.	53.	t 2.0	10. <sup>m</sup> /m
SS:40005 E		φ 40.	31.	63.	t 2.0	12. <sup>m</sup> /m
SS:42405 E		φ 42.4	33.	68.	t 2.0	13. <sup>m</sup> /m
SS:48305 E		φ 48.3	37.	77.	t 2.0	13. <sup>m</sup> /m
SS:60305 E		φ 60.3	41.	96.	t 2.0	14. <sup>m</sup> /m
SS:76105 E		φ 76.1	45.	120.	t 2.0	16. <sup>m</sup> /m

Item No	EUR	A	B	C	D	E
SS:30005 EB		φ 30.	24.	47.	t 1.5~2.6	9.0 <sup>m</sup> /m
SS:33705 EB		φ 33.7	28.	53.	t 1.5~2.6	10. <sup>m</sup> /m
SS:40005 EB		φ 40.	31.	63.	t 1.5~2.6	12. <sup>m</sup> /m
SS:42405 EB		φ 42.4	33.	68.	t 1.5~2.6	13. <sup>m</sup> /m
SS:48305 EB		φ 48.3	37.	77.	t 1.5~2.6	13. <sup>m</sup> /m
SS:60305 EB		φ 60.3	41.	96.	t 2.0~3.0	14. <sup>m</sup> /m
SS:76105 EB		φ 76.1	45.	120.	t 2.0~3.0	16. <sup>m</sup> /m