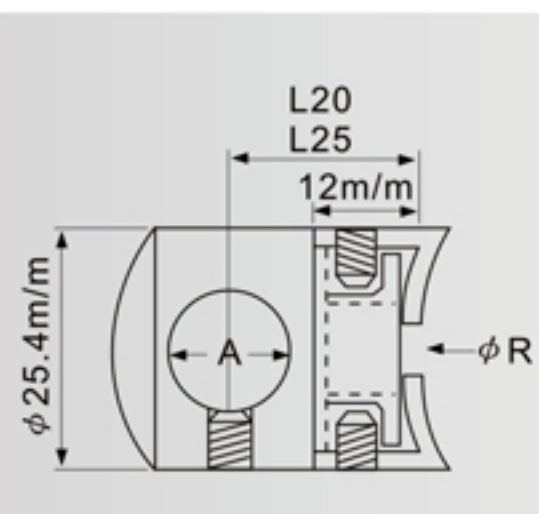


ANGLE ADJUSTABLE CONNECTORS FOR STAINLESS STEEL BARS.

SS:120106A L20
 ϕ R42.4m/m



hole, arch bottom

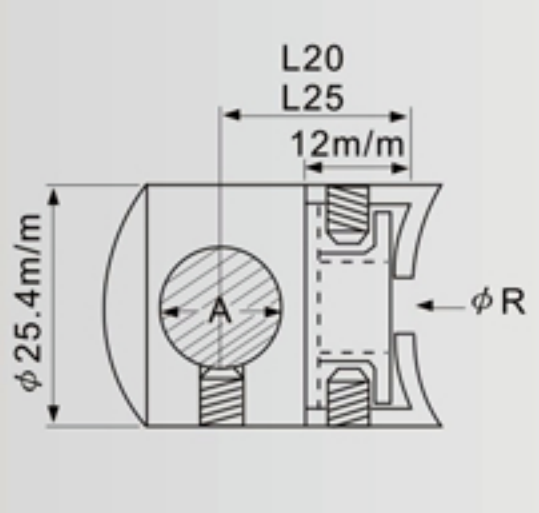


Item No	EUR	A	R(1)	R(2)	R(3)	R(4)	L(1)	L(2)
SS:120106A		ϕ 12	ϕ 33.7	ϕ 42.4	ϕ 48.3	ϕ 60.3	20	25m/m
SS:140106A		ϕ 14		ϕ 42.4	ϕ 48.3	ϕ 60.3	20	25m/m
SS:160106A		ϕ 16		ϕ 42.4	ϕ 48.3	ϕ 60.3	20	25m/m

SS:120106B L20
 ϕ R42.4m/m



Holeless, arch bottom

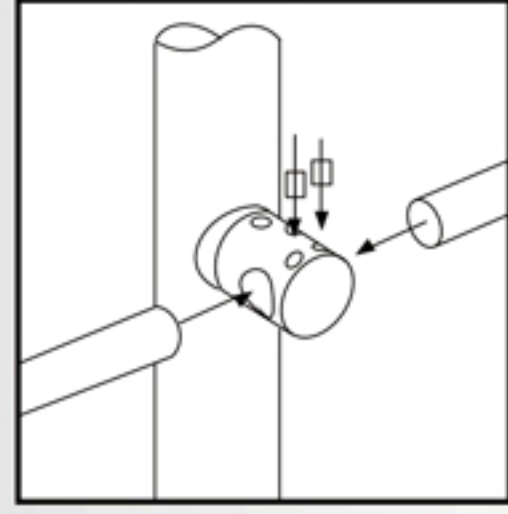
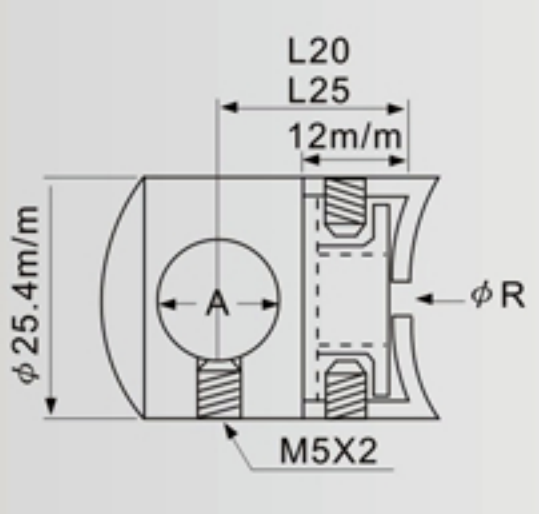


Item No	EUR	A	R(1)	R(2)	R(3)	R(4)	L(1)	L(2)
SS:120106B		ϕ 12	ϕ 33.7	ϕ 42.4	ϕ 48.3	ϕ 60.3	20	25m/m
SS:140106B		ϕ 14		ϕ 42.4	ϕ 48.3	ϕ 60.3	20	25m/m
SS:160106B		ϕ 16		ϕ 42.4	ϕ 48.3	ϕ 60.3	20	25m/m

SS:120106C L20
 ϕ R42.4m/m



hole, arch bottom

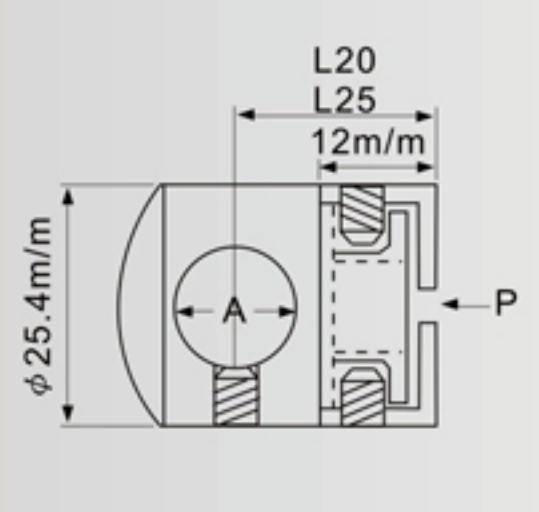


Item No	EUR	A	R(1)	R(2)	R(3)	R(4)	L(1)	L(2)
SS:120106C		ϕ 12	ϕ 33.7	ϕ 42.4	ϕ 48.3	ϕ 60.3	20	25m/m
SS:140106C		ϕ 14		ϕ 42.4	ϕ 48.3	ϕ 60.3	20	25m/m
SS:160106C		ϕ 16		ϕ 42.4	ϕ 48.3	ϕ 60.3	20	25m/m

SS:120106AP L20



hole, plane

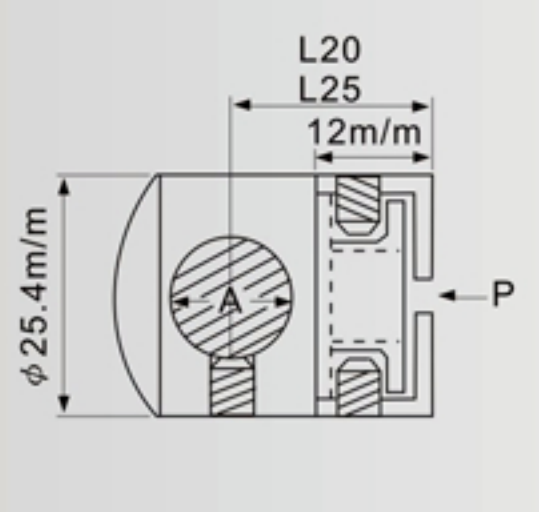


Item No	EUR	A	L(1)	L(2)
SS:120106AP		ϕ 12	20	25m/m
SS:140106AP		ϕ 14	20	25m/m
SS:160106AP		ϕ 16	20	25m/m

SS:120106BP L20



Holeless plane bottom

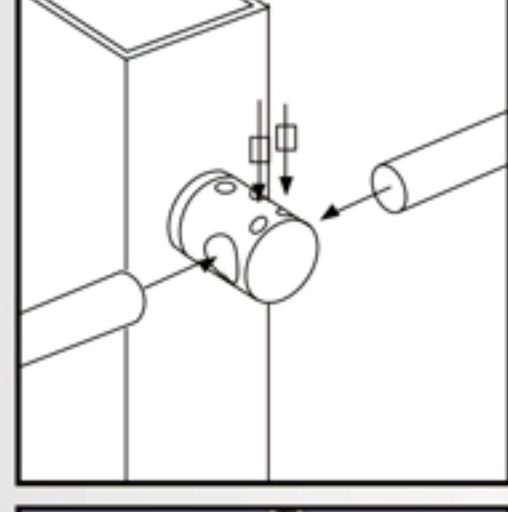
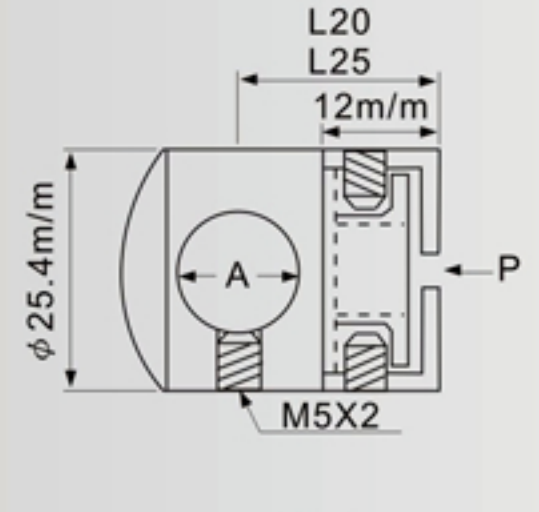


Item No	EUR	A	L(1)	L(2)
SS:120106BP		ϕ 12	20	25m/m
SS:140106BP		ϕ 14	20	25m/m
SS:160106BP		ϕ 16	20	25m/m

SS:120106CP L20



hole, plane bottom

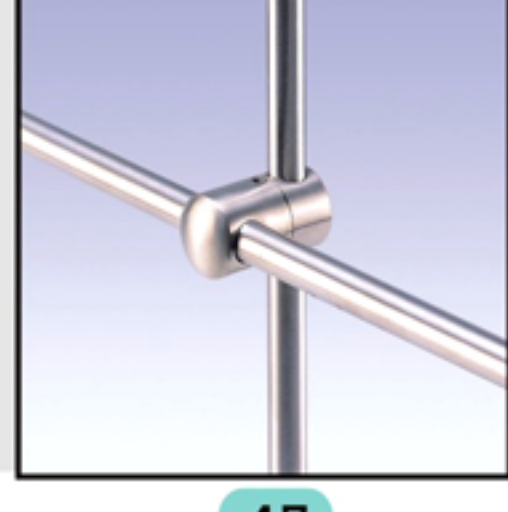
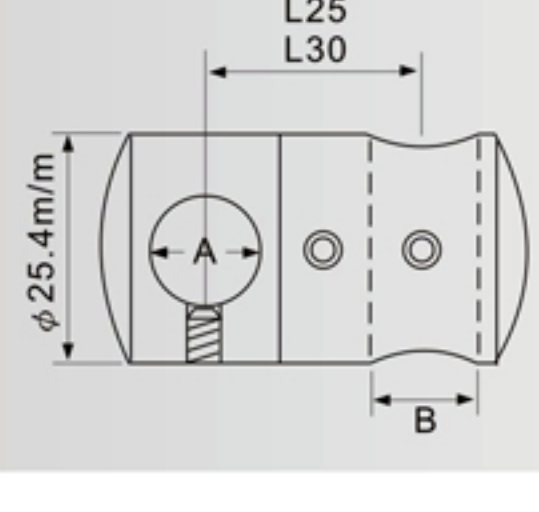


Item No	EUR	A	L(1)	L(2)
SS:120106CP		ϕ 12m/m	20	25m/m
SS:140106CP		ϕ 14m/m	20	25m/m
SS:160106CP		ϕ 16m/m	20	25m/m

SS:120107 L25
 B ϕ 12m/m



hole, arch bottom



Item No	EUR	A	B	L(1)	L(2)
SS:120107		ϕ 12	ϕ 12	25	30m/m
SS:140107		ϕ 14	ϕ 14	25	30m/m
SS:160107		ϕ 16	ϕ 16	25	30m/m