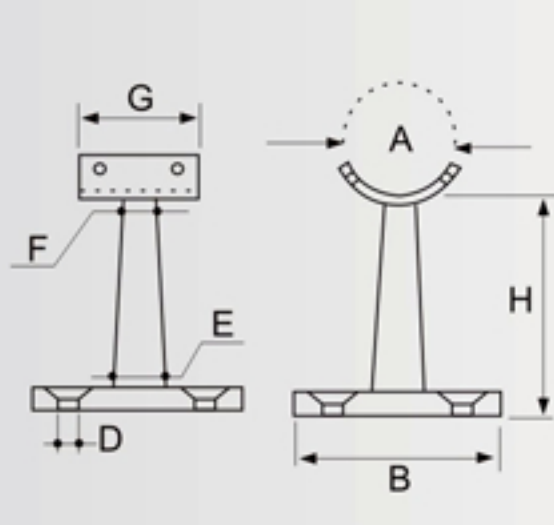
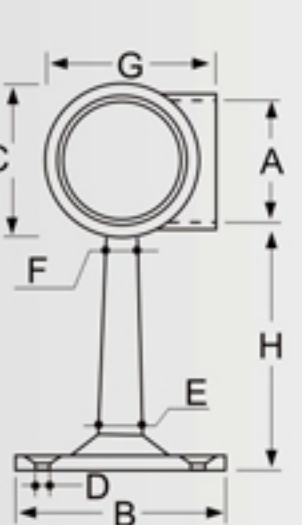
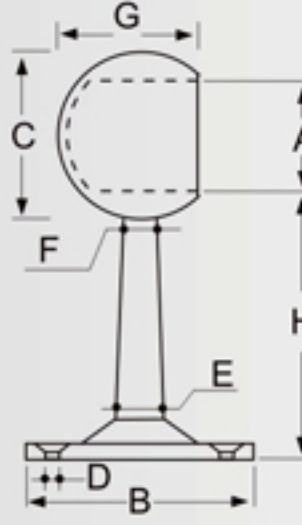
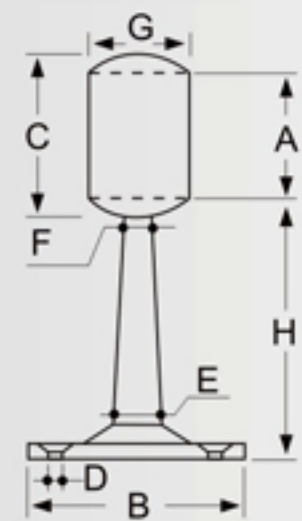




# DAH SHI STAINLESS STEEL TUBULAR RAILINGS, HIGH-CLASS ASSEMBLIES AND ACCESSORIES.



Item No	H(1)	EUR	H(2)	EUR	H(3)	EUR	A	B	C	D	E	F	G
SS:33753	80		100		120		φ 33.7	φ 64.8	φ 46	φ 5.5	φ 16	φ 12	29m/m
SS:42453	65		80		100		φ 42.4	φ 74.6	φ 54	φ 5.5	φ 16	φ 12	32m/m
SS:48353	65		80		95		φ 48.3	φ 82.4	φ 62	φ 5.5	φ 19	φ 13	36m/m

Item No	H(1)	EUR	H(2)	EUR	H(3)	EUR	A	B	C	D	E	F	G
SS:33754	80		100		120		φ 33.7	φ 64.8	φ 46	φ 5.5	φ 16	φ 12	38m/m
SS:42454	65		80		100		φ 42.4	φ 74.6	φ 54	φ 5.5	φ 16	φ 12	43m/m
SS:48354	65		80		95		φ 48.3	φ 82.4	φ 62	φ 5.5	φ 19	φ 13	50m/m

Item No	H(1)	EUR	H(2)	EUR	H(3)	EUR	A	B	C	D	E	F	G
SS:33755	80		100		120		φ 33.7	φ 64.8	φ 46	φ 5.5	φ 16	φ 12	49m/m
SS:42455	65		80		100		φ 42.4	φ 74.6	φ 54	φ 5.5	φ 16	φ 12	60m/m
SS:48355	65		80		95		φ 48.3	φ 82.4	φ 62	φ 5.5	φ 19	φ 13	68m/m

Item No	H(1)	EUR	H(2)	EUR	H(3)	EUR	A	B	D	E	F	G
SS:33756	80		100		120		φ 33.7	φ 64.8	φ 5.5	φ 16	φ 12	45m/m
SS:42456	65		80		100		φ 42.4	φ 74.6	φ 5.5	φ 16	φ 12	45m/m
SS:48356	65		80		95		φ 48.3	φ 82.4	φ 5.5	φ 19	φ 13	45m/m

