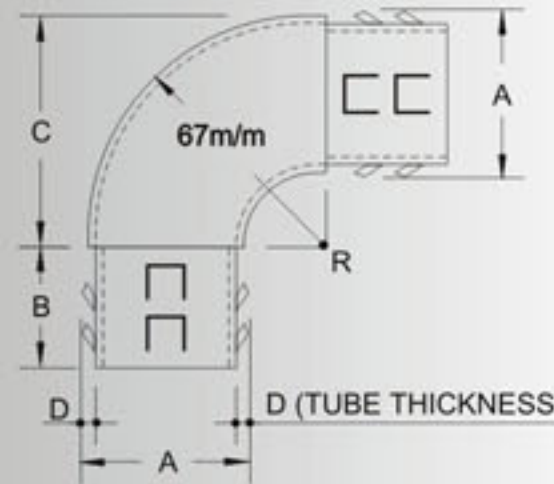
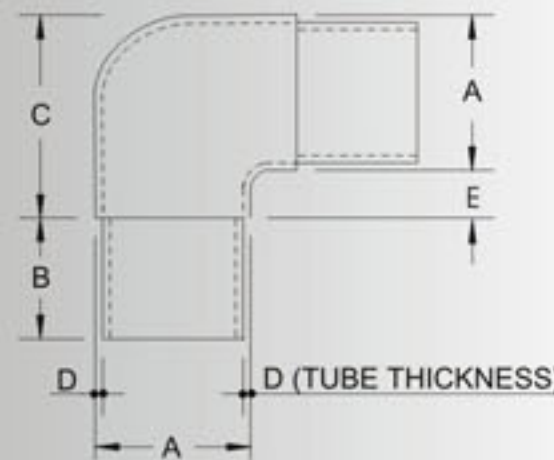


Item No	EUR	A	B	C	D	R
SS:12001 E		φ12.	13.	26.	t 1.5	26.m/m
SS:16001 E		φ16.	15.	29.	t 1.5	28.m/m
SS:20001 E		φ20.	17.	30.	t 1.5	31.m/m
SS:26901 E		φ26.9.	22.	42.	t 2.0	43.m/m
SS:30001 E		φ30.	24.	45.	t 2.0	46.m/m
SS:33701 E		φ33.7	28.	52.	t 2.0	54.m/m
SS:40001 E		φ40.	31.	61.	t 2.0	63.m/m
SS:42401 E		φ42.4	33.	65.	t 2.0	67.m/m
SS:48301 E		φ48.3	37.	73.	t 2.0	76.m/m
SS:60301 E		φ60.3	47.	88.	t 2.0	90.m/m
SS:76101 E		φ76.1	57.	110.	t 2.0	110.m/m

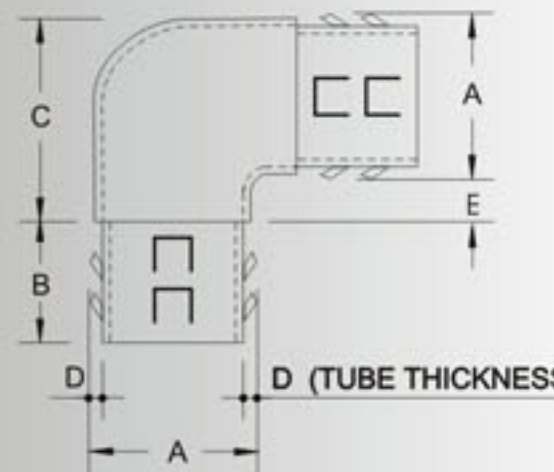


Item No	EUR	A	B	C	D	R
SS:30001EB		φ30.	24.	45.	t 1.5~2.6	46.m/m
SS:33701EB		φ33.7	28.	52.	t 1.5~2.6	54.m/m
SS:40001EB		φ40.	31.	61.	t 1.5~2.6	63.m/m
SS:42401EB		φ42.4	33.	65.	t 1.5~2.6	67.m/m
SS:48301EB		φ48.3	37.	73.	t 1.5~2.6	76.m/m
SS:60301EB		φ60.3	47.	88.	t 2.0~3.0	90.m/m
SS:76101EB		φ76.1	57.	110.	t 2.0~3.0	110.m/m

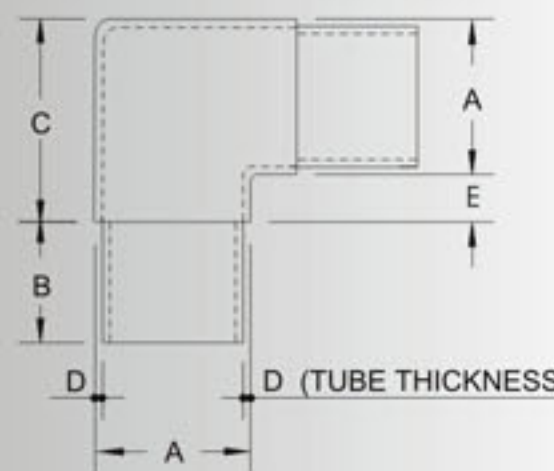


Item No	EUR	A	B	C	D	E
SS:12002E		φ12.	13.	18.	t 1.5	5.m/m
SS:16002E		φ16.	15.	23.	t 1.5	6.m/m
SS:20002E		φ20.	17.	26.	t 1.5	7.m/m
SS:26902E		φ26.9	22.	34.	t 2.0	8.m/m
SS:30002E		φ30.	24.	38.	t 2.0	9.m/m
SS:33702E		φ33.7	28.	43.	t 2.0	10.m/m
SS:40002E		φ40.	31.	51.	t 2.0	12.m/m
SS:42402E		φ42.4	33.	55.	t 2.0	13.m/m
SS:48302E		φ48.3	37.	61.	t 2.0	13.m/m
SS:60302E		φ60.3	41.	74.	t 2.0	14.m/m
SS:76102E		φ76.1	45.	92.	t 2.0	16.m/m

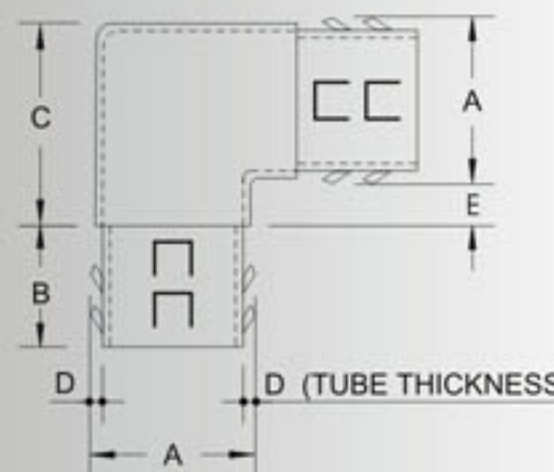
Patent is on record



Item No	EUR	A	B	C	D	E
SS:30002EB		φ30.	24.	38.	t 1.5~2.6	9.m/m
SS:33702EB		φ33.7	28.	43.	t 1.5~2.6	10.m/m
SS:40002EB		φ40.	31.	51.	t 1.5~2.6	12.m/m
SS:42402EB		φ42.4	33.	55.	t 1.5~2.6	13.m/m
SS:48302EB		φ48.3	37.	61.	t 1.5~2.6	13.m/m
SS:60302EB		φ60.3	41.	74.	t 2.0~3.0	14.m/m
SS:76102EB		φ76.1	45.	92.	t 2.0~3.0	16.m/m



Item No	EUR	A	B	C	D	E
SS:12002EL		φ12.	13.	18.	t 1.5	5.m/m
SS:16002EL		φ16.	15.	23.	t 1.5	6.m/m
SS:20002EL		φ20.	17.	26.	t 1.5	7.m/m
SS:26902EL		φ26.9	22.	34.	t 2.0	8.m/m
SS:30002EL		φ30.	24.	38.	t 2.0	9.m/m
SS:33702EL		φ33.7	28.	43.	t 2.0	10.m/m
SS:40002EL		φ40.	31.	51.	t 2.0	12.m/m
SS:42402EL		φ42.4	33.	55.	t 2.0	13.m/m
SS:48302EL		φ48.3	37.	61.	t 2.0	13.m/m
SS:60302EL		φ60.3	41.	74.	t 2.0	14.m/m
SS:76102EL		φ76.1	45.	92.	t 2.0	16.m/m



Item No	EUR	A	B	C	D	E
SS:30002ELB		φ30.	24.	38.	t 1.5~2.6	9.m/m
SS:33702ELB		φ33.7	28.	43.	t 1.5~2.6	10.m/m
SS:40002ELB		φ40.	31.	51.	t 1.5~2.6	12.m/m
SS:42402ELB		φ42.4	33.	55.	t 1.5~2.6	13.m/m
SS:48302ELB		φ48.3	37.	61.	t 1.5~2.6	13.m/m
SS:60302ELB		φ60.3	41.	74.	t 2.0~3.0	14.m/m
SS:76102ELB		φ76.1	45.	92.	t 2.0~3.0	16.m/m