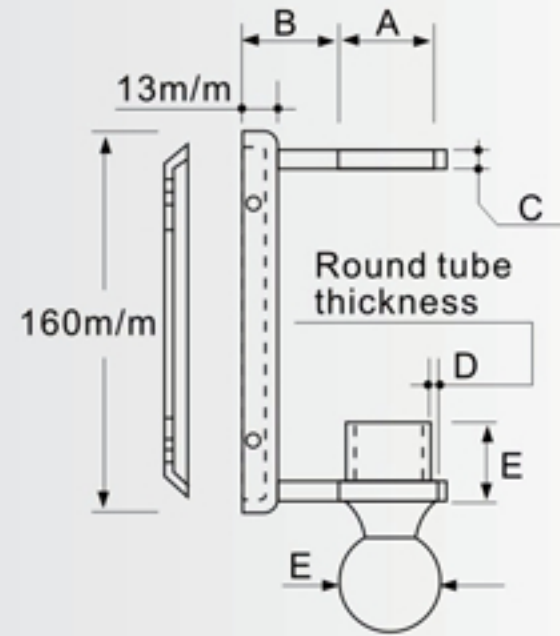
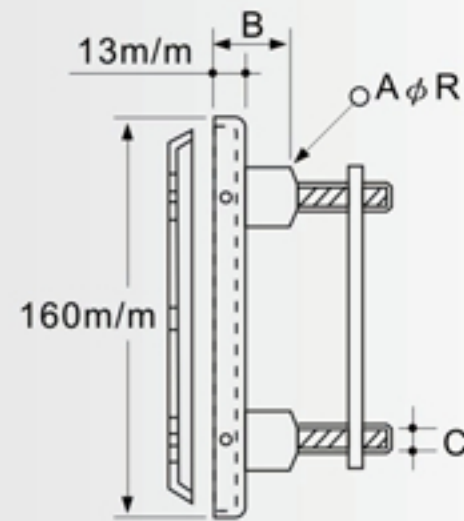


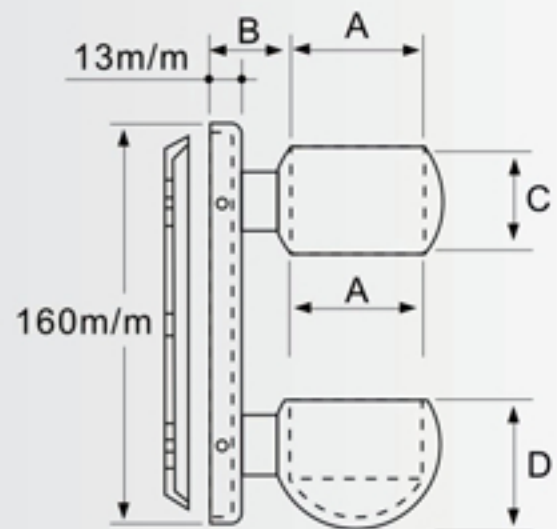
Item No	EUR	A	B	C	D	E
SS:33786		φ 33.7	30	t10.5	t2.0	31m/m
SS:42486		φ 42.4	30	t10.5	t2.0	36m/m
SS:48386		φ 48.3	50	t10.5	t2.0	40m/m



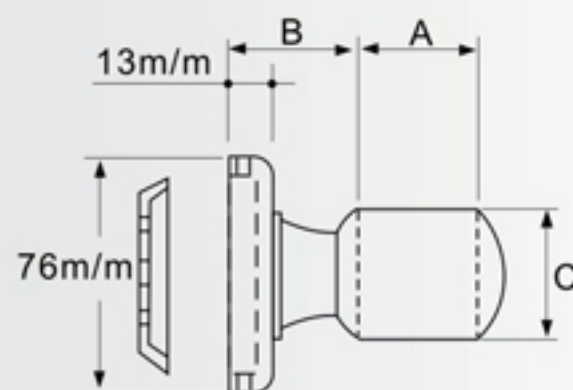
Item No	EUR	A	B	C	D	E
SS:33786A		φ 33.7	30	t10.5	t2.0	31m/m
SS:42486A		φ 42.4	30	t10.5	t2.0	36m/m
SS:48386A		φ 48.3	50	t10.5	t2.0	40m/m



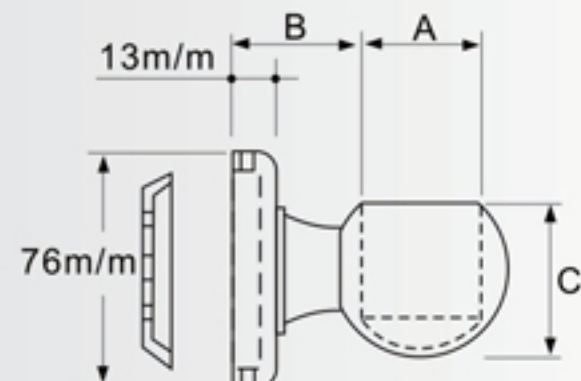
Item No	EUR	A	B	C
SS:33787		φ 33.7	47	φ 8.0m/m
SS:42487		φ 42.4	47	φ 8.0m/m
SS:48387		φ 48.3	47	φ 8.0m/m



Item No	EUR	A	B	C	D
SS:33788		φ 33.7	48	29	38m/m
SS:42488		φ 42.4	50	32	43m/m
SS:48388		φ 48.3	52	36	50m/m



Item No	EUR	A	B	C
SS:33789		φ 33.7	39	29m/m
SS:42489		φ 42.4	42	32m/m
SS:48389		φ 48.3	43	36m/m



Item No	EUR	A	B	C
SS:33790		φ 33.7	39	38m/m
SS:42490		φ 42.4	42	43m/m
SS:48390		φ 48.3	43	50m/m