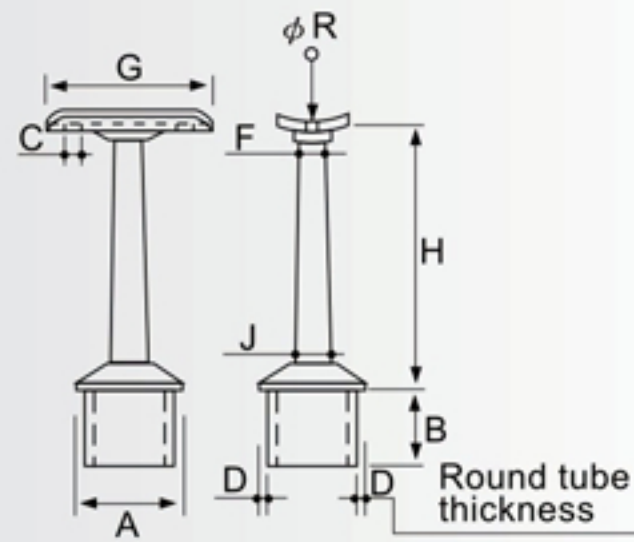
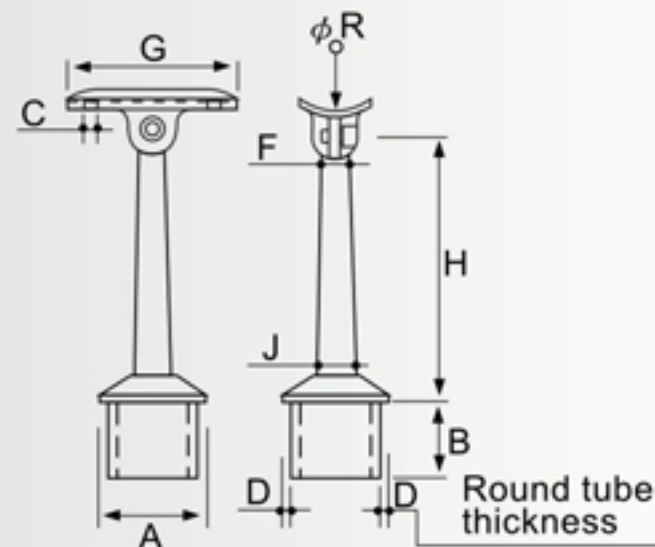




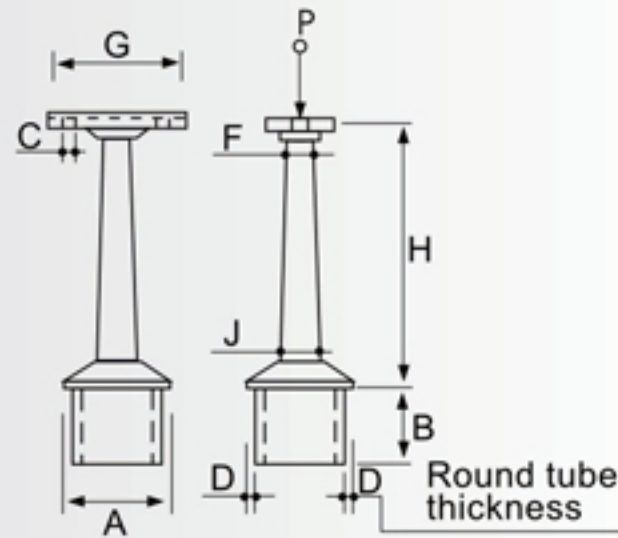
# DAH SHI VARIETY HANDRIAL FITTINGS HELP YOU SOLVE THE PROBLEMS OF STAIR CORNERS AND ANGLES.



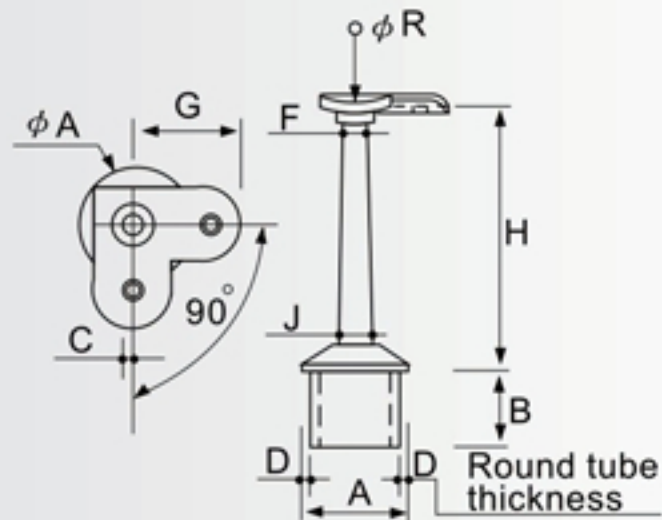
| Item No  | EUR | A           | B  | C          | D    | F         | G  | H  | R           | J            |
|----------|-----|-------------|----|------------|------|-----------|----|----|-------------|--------------|
| SS:33796 |     | $\phi$ 33.7 | 28 | $\phi$ 5.2 | t2.0 | $\phi$ 12 | 66 | 90 | $\phi$ 33.7 | $\phi$ 16m/m |
| SS:42496 |     | $\phi$ 42.4 | 33 | $\phi$ 5.2 | t2.0 | $\phi$ 12 | 66 | 90 | $\phi$ 42.4 | $\phi$ 16m/m |
| SS:48396 |     | $\phi$ 48.3 | 37 | $\phi$ 5.2 | t2.0 | $\phi$ 13 | 66 | 90 | $\phi$ 48.3 | $\phi$ 19m/m |



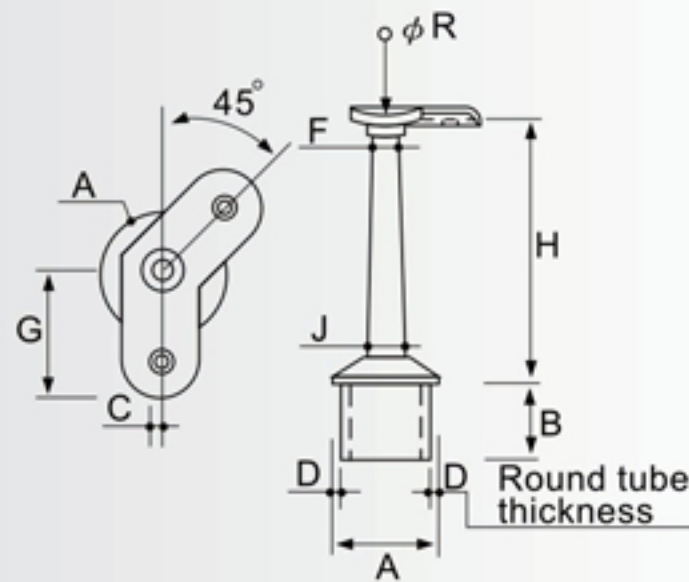
| Item No   | EUR | A           | B  | C          | D    | F         | G  | H  | R           | J            |
|-----------|-----|-------------|----|------------|------|-----------|----|----|-------------|--------------|
| SS:33796A |     | $\phi$ 33.7 | 28 | $\phi$ 5.2 | t2.0 | $\phi$ 12 | 66 | 90 | $\phi$ 33.7 | $\phi$ 16m/m |
| SS:42496A |     | $\phi$ 42.4 | 33 | $\phi$ 5.2 | t2.0 | $\phi$ 12 | 66 | 90 | $\phi$ 42.4 | $\phi$ 16m/m |
| SS:48396A |     | $\phi$ 48.3 | 37 | $\phi$ 5.2 | t2.0 | $\phi$ 13 | 66 | 90 | $\phi$ 48.3 | $\phi$ 19m/m |



| Item No   | EUR | A           | B  | C          | D    | F         | G  | H  | J            |
|-----------|-----|-------------|----|------------|------|-----------|----|----|--------------|
| SS:33796P |     | $\phi$ 33.7 | 28 | $\phi$ 5.2 | t2.0 | $\phi$ 12 | 66 | 90 | $\phi$ 16m/m |
| SS:42496P |     | $\phi$ 42.4 | 33 | $\phi$ 5.2 | t2.0 | $\phi$ 12 | 66 | 90 | $\phi$ 16m/m |
| SS:48396P |     | $\phi$ 48.3 | 37 | $\phi$ 5.2 | t2.0 | $\phi$ 13 | 66 | 90 | $\phi$ 19m/m |



| Item No      | EUR | A           | B  | C          | D    | F         | G  | H  | R           | J            |
|--------------|-----|-------------|----|------------|------|-----------|----|----|-------------|--------------|
| SS:33796-90° |     | $\phi$ 33.7 | 28 | $\phi$ 5.2 | t2.0 | $\phi$ 12 | 35 | 90 | $\phi$ 33.7 | $\phi$ 16m/m |
| SS:42496-90° |     | $\phi$ 42.4 | 33 | $\phi$ 5.2 | t2.0 | $\phi$ 12 | 35 | 90 | $\phi$ 42.4 | $\phi$ 16m/m |
| SS:48396-90° |     | $\phi$ 48.3 | 37 | $\phi$ 5.2 | t2.0 | $\phi$ 13 | 35 | 90 | $\phi$ 48.3 | $\phi$ 19m/m |



| Item No      | EUR | A           | B  | C          | D    | F         | G  | H  | R           | J            |
|--------------|-----|-------------|----|------------|------|-----------|----|----|-------------|--------------|
| SS:33796-45° |     | $\phi$ 33.7 | 28 | $\phi$ 5.2 | t2.0 | $\phi$ 12 | 35 | 90 | $\phi$ 33.7 | $\phi$ 16m/m |
| SS:42496-45° |     | $\phi$ 42.4 | 33 | $\phi$ 5.2 | t2.0 | $\phi$ 12 | 35 | 90 | $\phi$ 42.4 | $\phi$ 16m/m |
| SS:48396-45° |     | $\phi$ 48.3 | 37 | $\phi$ 5.2 | t2.0 | $\phi$ 13 | 35 | 90 | $\phi$ 48.3 | $\phi$ 19m/m |

