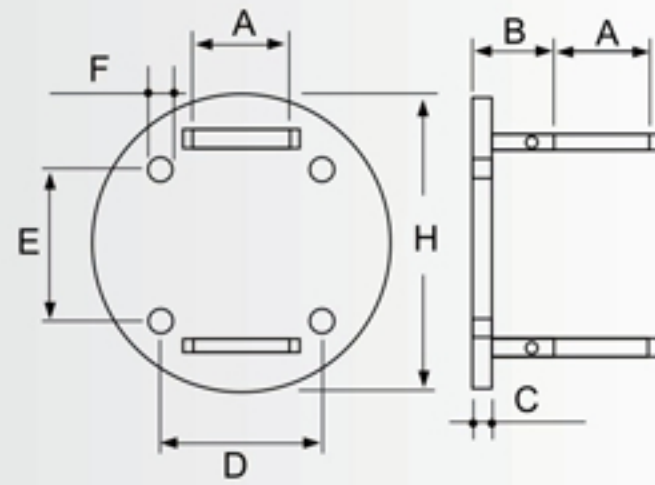
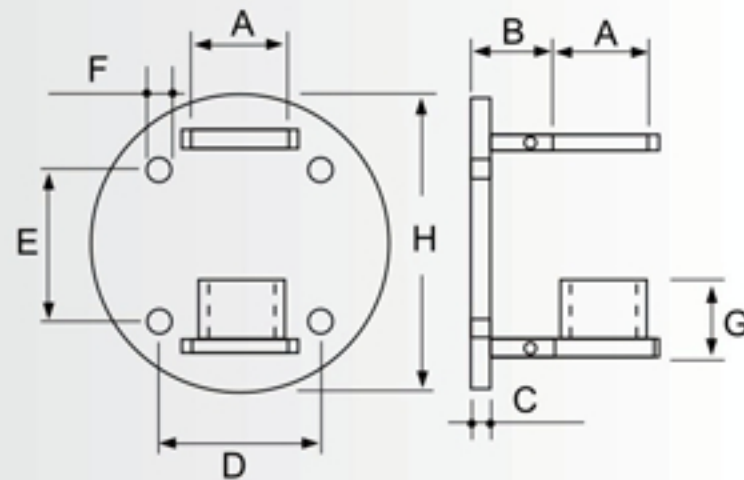


SS:42483A



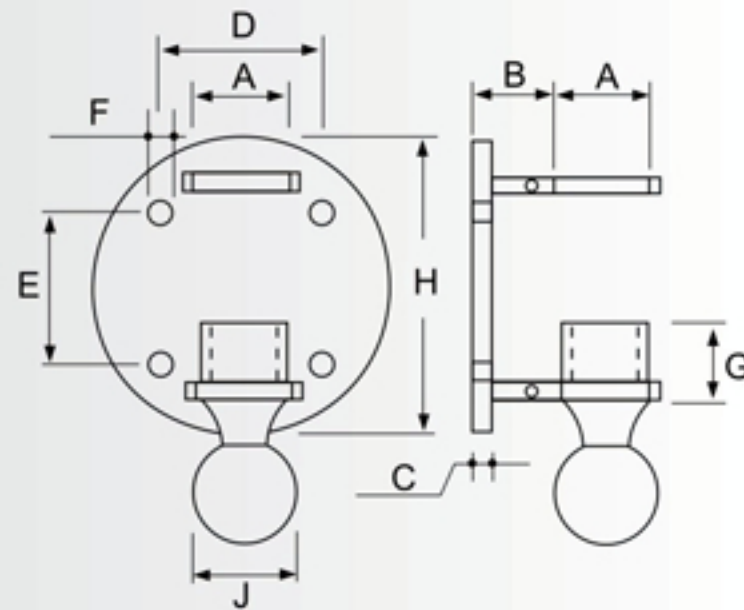
Item No	EUR	A	B	C	D	E	F	H
SS:33783A		φ 33.7	30	t 7.5	75	52	φ 8.5	φ 110m/m
SS:42483A		φ 42.4	30	t 7.5	75	52	φ 8.5	φ 110m/m
SS:48383A		φ 48.3	50	t 7.5	75	52	φ 8.5	φ 110m/m

SS:42483B



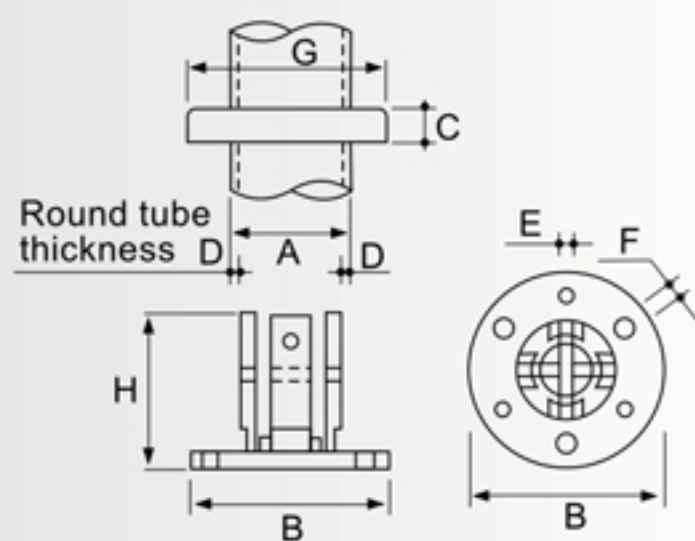
Item No	EUR	A	B	C	D	E	F	G	H
SS:33783B		φ 33.7	30	t 7.5	75	52	φ 8.5	31	φ 110m/m
SS:42483B		φ 42.4	30	t 7.5	75	52	φ 8.5	36	φ 110m/m
SS:48383B		φ 48.3	50	t 7.5	75	52	φ 8.5	40	φ 110m/m

SS:42483C



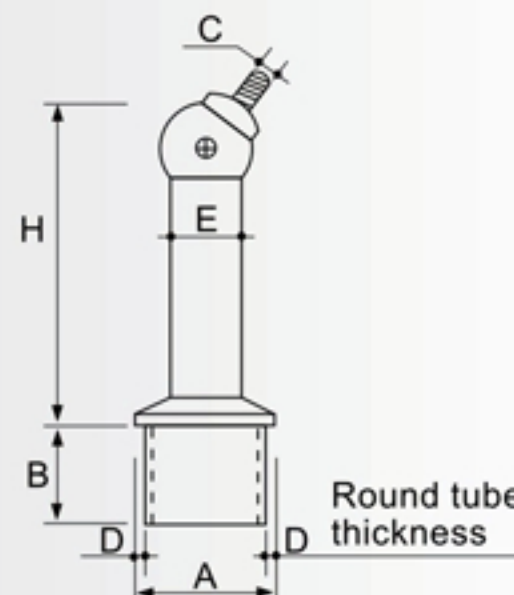
Item No	EUR	A	B	C	D	E	F	G	H	J
SS:33783C		φ 33.7	30	t 7.5	75	52	φ 8.5	φ 31	φ 110	φ 37m/m
SS:42483C		φ 42.4	30	t 7.5	75	52	φ 8.5	φ 36	φ 110	φ 42.4m/m
SS:48383C		φ 48.3	50	t 7.5	75	52	φ 8.5	φ 40	φ 110	φ 48.3m/m

SS:42484



Item No	EUR	A	B	C	D	E	F	G	H
SS:42484		φ 42.4	74.5	13	t 1.5~2.6	φ 6.5	φ 8.5	76.5	55m/m
SS:48384		φ 48.3	82	14	t 1.5~2.6	φ 6.5	φ 8.5	84	60m/m

SS:42485



Item No	EUR	A	B	C	D	E	H
SS:33785		φ 33.7	28	φ 6.0	t 2.0	φ 22.2	90m/m
SS:42485		φ 42.4	33	φ 6.0	t 2.0	φ 22.2	95m/m
SS:48385		φ 48.3	37	φ 6.0	t 2.0	φ 25.4	100m/m