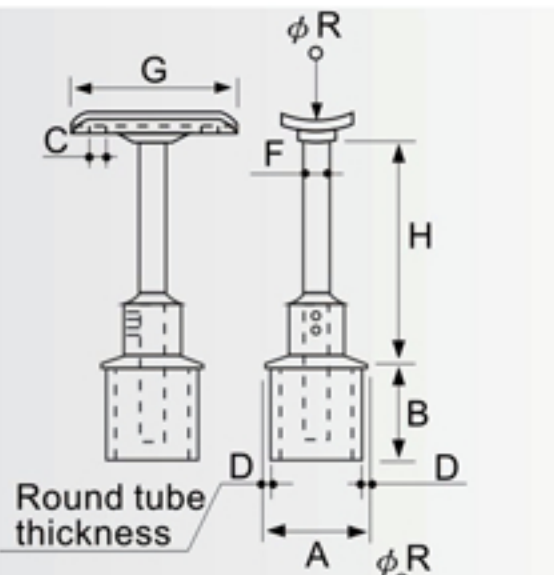


DAH SHI®

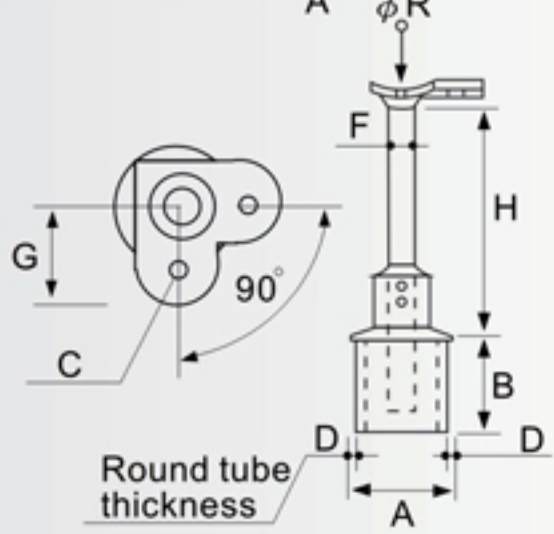
SS:42448 ϕ R42.4m/m

Height adjustable



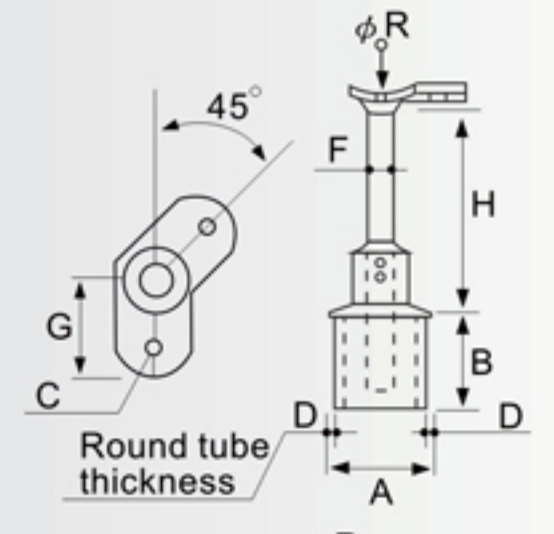
SS:42448-90° ϕ R42.4m/m

Height adjustable



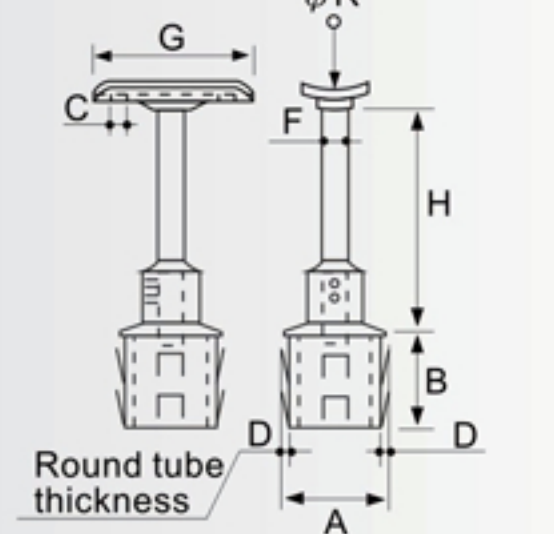
SS:42448-45° ϕ R42.4m/m

Height adjustable



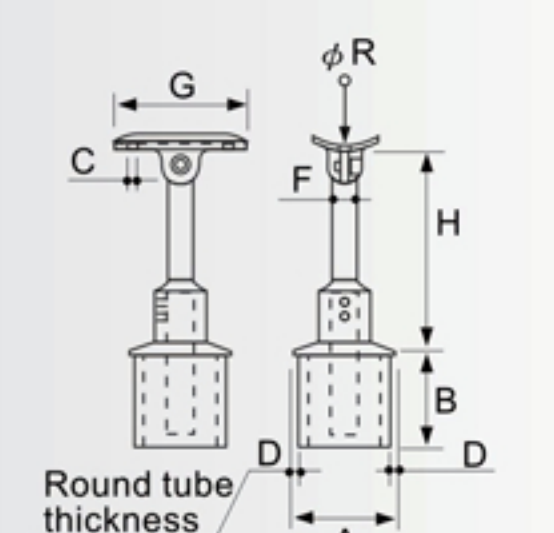
SS:42448B ϕ R42.4m/m

Adjustable level and fixed reed



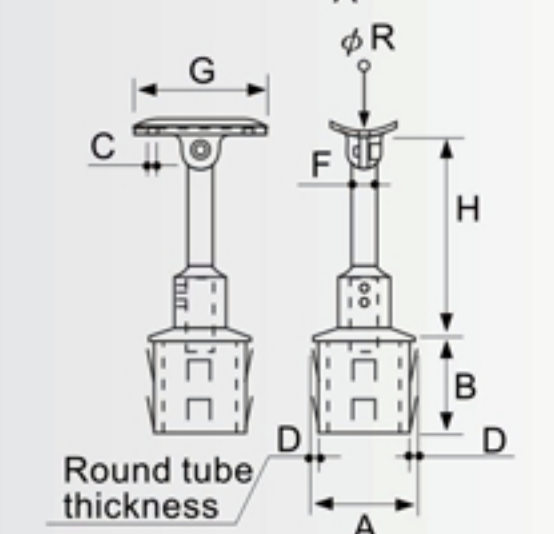
SS:42448A ϕ R42.4m/m

Adjustable level and gradient



SS:42448AB ϕ R42.4m/m

Adjustable level and fixed reed



Item NO	EUR	A	B	C	D	F	G	H	ϕ R
SS:33748		ϕ 33.7	28	ϕ 5.2	t2.0	ϕ 12	66	60~110	33.7m/m
SS:42448		ϕ 42.4	33	ϕ 5.2	t2.0	ϕ 14	66	60~110	42.4m/m
SS:48348		ϕ 48.3	37	ϕ 5.2	t2.0	ϕ 16	66	60~110	48.3m/m

Item NO	EUR	A	B	C	D	F	G	H	ϕ R
SS:33748-90°		ϕ 33.7	28	ϕ 5.2	t2.0	ϕ 12	35	60~110	33.7m/m
SS:42448-90°		ϕ 42.4	33	ϕ 5.2	t2.0	ϕ 14	35	60~110	42.4m/m
SS:48348-90°		ϕ 48.3	37	ϕ 5.2	t2.0	ϕ 16	35	60~110	48.3m/m

Item NO	EUR	A	B	C	D	F	G	H	ϕ R
SS:33748-45°		ϕ 33.7	28	ϕ 5.2	t2.0	ϕ 12	35	60~110	33.7m/m
SS:42448-45°		ϕ 42.4	33	ϕ 5.2	t2.0	ϕ 14	35	60~110	42.4m/m
SS:48348-45°		ϕ 48.3	37	ϕ 5.2	t2.0	ϕ 16	35	60~110	48.3m/m

Item NO	EUR	A	B	C	D	F	G	H	ϕ R
SS:33748-B		ϕ 33.7	28	ϕ 5.2	t1.5-2.6	ϕ 12	66	60~110	33.7m/m
SS:42448-B		ϕ 42.4	33	ϕ 5.2	t1.5-2.6	ϕ 14	66	60~110	42.4m/m
SS:48348-B		ϕ 48.3	37	ϕ 5.2	t1.5-2.6	ϕ 16	66	60~110	48.3m/m

Item NO	EUR	A	B	C	D	F	G	H	ϕ R
SS:33748-A		ϕ 33.7	28	ϕ 5.2	t2.0	ϕ 12	66	60~110	33.7m/m
SS:42448-A		ϕ 42.4	33	ϕ 5.2	t2.0	ϕ 14	66	60~110	42.4m/m
SS:48348-A		ϕ 48.3	37	ϕ 5.2	t2.0	ϕ 16	66	60~110	48.3m/m

Item NO	EUR	A	B	C	D	F	G	H	ϕ R
SS:33748-AB		ϕ 33.7	28	ϕ 5.2	t1.5-2.6	ϕ 12	66	60~110	33.7m/m
SS:42448-AB		ϕ 42.4	33	ϕ 5.2	t1.5-2.6	ϕ 14	66	60~110	42.4m/m
SS:48348-AB		ϕ 48.3	37	ϕ 5.2	t1.5-2.6	ϕ 16	66	60~110	48.3m/m