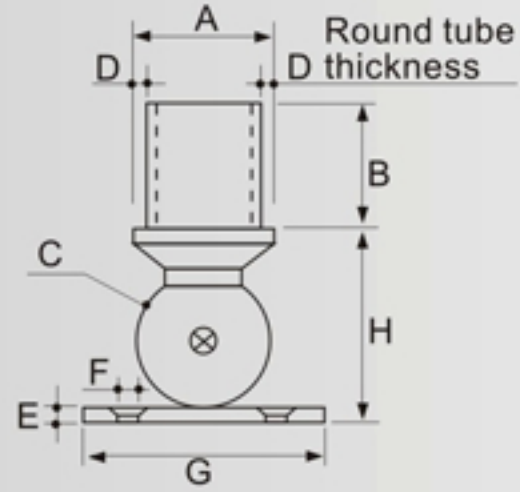
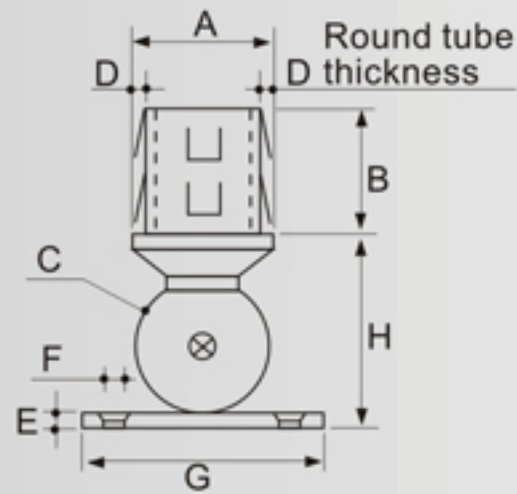


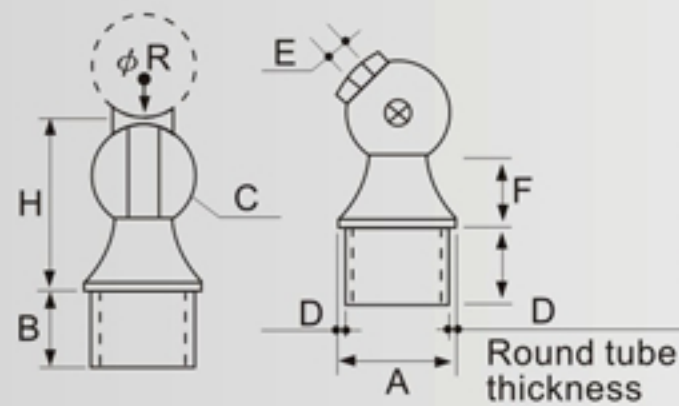
DAH SHI STAINLESS STEEL HANDNIAL FITTINGS HELP YOU SOLVE THE ROBLEMS OF STAIR ANGLES.



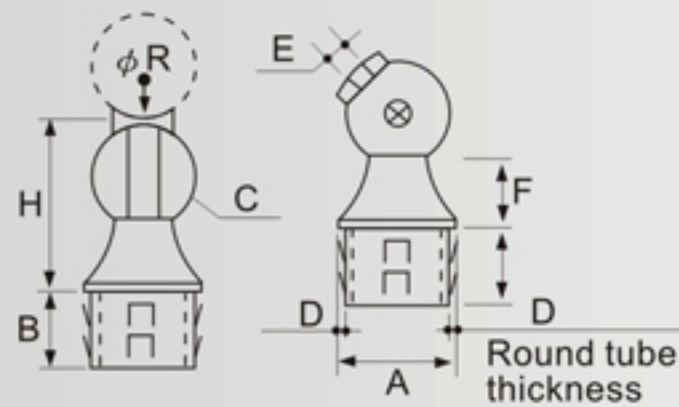
Item No	EUR	A	B	C	D	E	F	G	H
SS:26975		φ26.9	22	φ23	t2.0	t4.0	φ5.5	φ48	38m/m
SS:30075		φ30.0	24	φ26	t2.0	t4.0	φ5.5	φ48	44m/m
SS:33775		φ33.7	28	φ29	t2.0	t4.0	φ5.5	φ64.8	48m/m
SS:42475		φ42.4	33	φ36.5	t2.0	t5.0	φ5.5	φ74.6	60m/m
SS:48375		φ48.3	37	φ42.4	t2.0	t5.5	φ5.5	φ82.4	67m/m



Item No	EUR	A	B	C	D	E	F	G	H
SS:26975B		φ26.9	22	φ23	t1.5~2.0	t4.0	φ5.5	φ48	38m/m
SS:30075B		φ30.0	24	φ26	t1.5~2.0	t4.0	φ5.5	φ48	44m/m
SS:33775B		φ33.7	28	φ29	t1.5~2.6	t4.0	φ5.5	φ64.8	48m/m
SS:42475B		φ42.4	33	φ36.5	t1.5~2.6	t5.0	φ5.5	φ74.6	60m/m
SS:48375B		φ48.3	37	φ42.4	t1.5~2.6	t5.5	φ5.5	φ82.4	67m/m



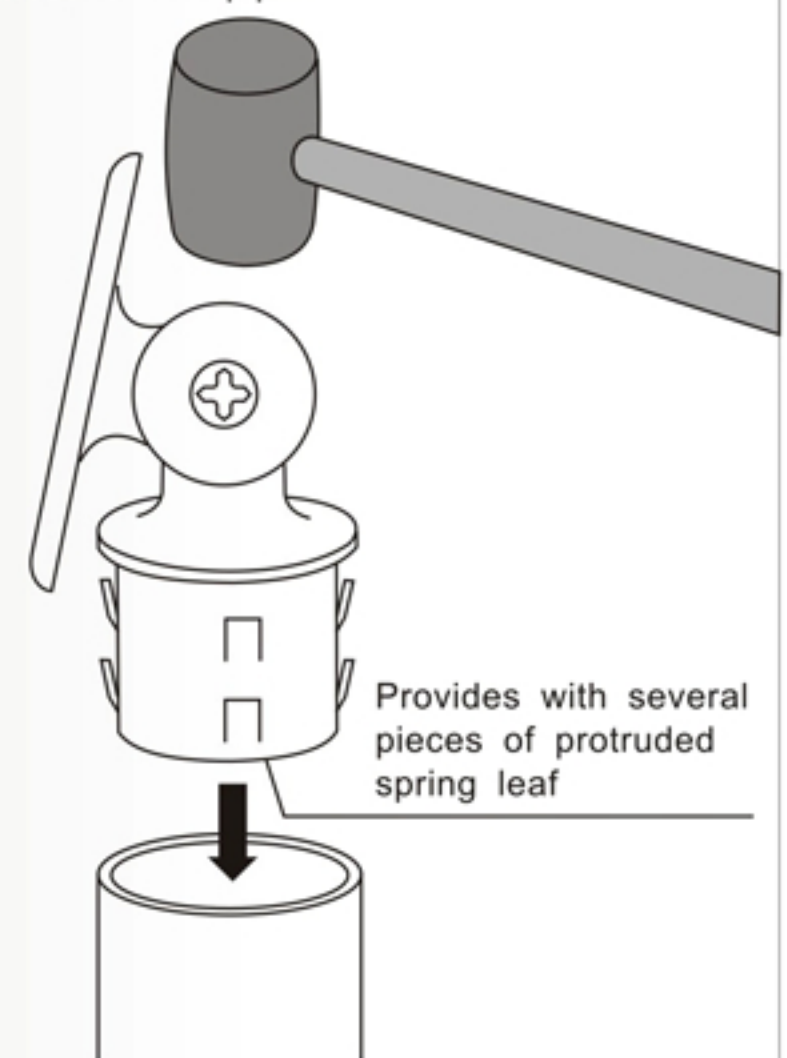
Item No	EUR	A	B	C	D	E	F	H	R
SS:33776		φ33.7	28	φ33.7	t2.0	φ8.0	19	53	φ33.7m/m
SS:42476		φ42.4	33	φ42.4	t2.0	φ8.0	25	68	φ42.4m/m
SS:48376		φ48.3	37	φ48.3	t2.0	φ8.0	29	70	φ48.3m/m



Item No	EUR	A	B	C	D	E	F	H	R
SS:33776B		φ33.7	28	φ33.7	t1.5~2.0	φ8.0	19	53	φ33.7m/m
SS:42476B		φ42.4	33	φ42.4	t1.5~2.6	φ8.0	25	68	φ42.4m/m
SS:48376B		φ48.3	37	φ48.3	t1.5~2.6	φ8.0	29	70	φ48.3m/m



Character: No restriction on the wall thickness of the pipe.



New style. Patent:130374, to be added