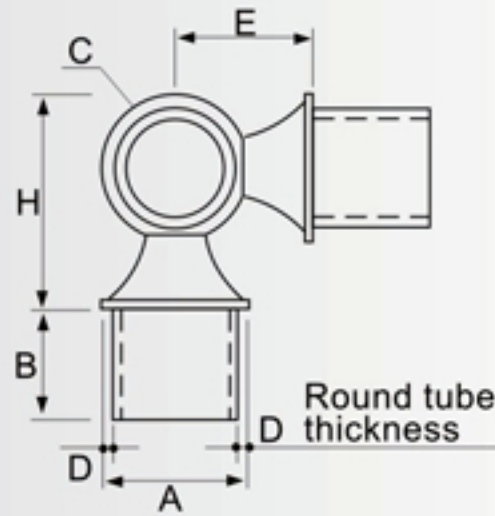
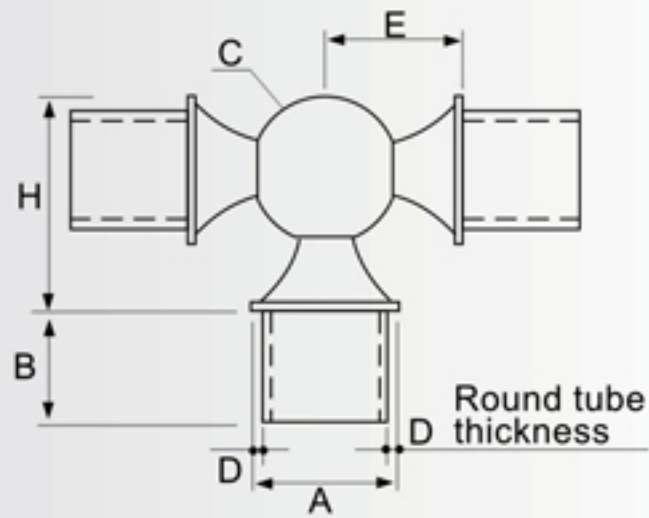


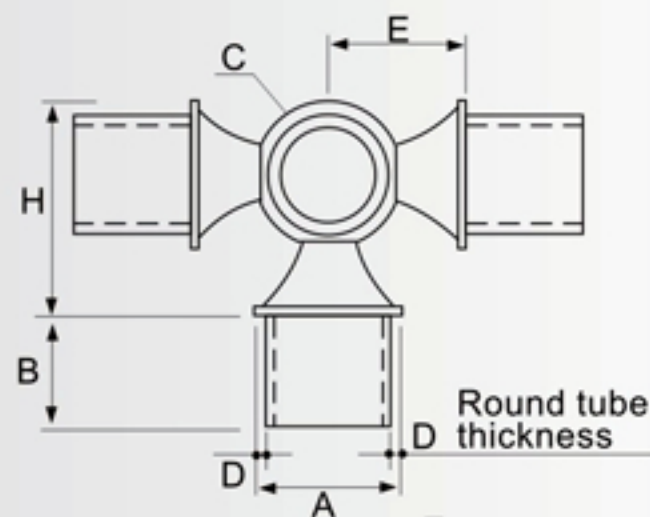
Item No	EUR	A	B	C	D	E	H
SS:337120-2		φ 33.7	28	φ 33.7	t 2.0	33	50m/m
SS:424120-2		φ 42.4	33	φ 42.4	t 2.0	42	63m/m
SS:483120-2		φ 48.3	37	φ 48.3	t 2.0	48	72m/m



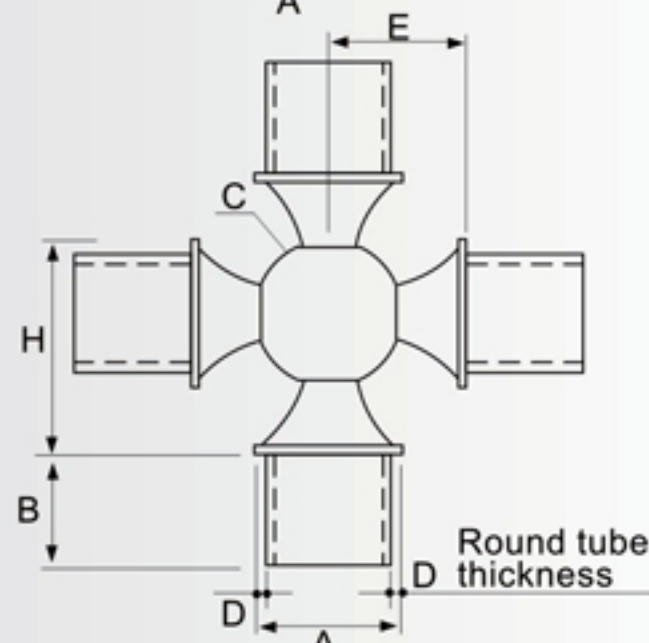
Item No	EUR	A	B	C	D	E	H
SS:337120-3		φ 33.7	28	φ 33.7	t 2.0	33	50m/m
SS:424120-3		φ 42.4	33	φ 42.4	t 2.0	42	63m/m
SS:483120-3		φ 48.3	37	φ 48.3	t 2.0	48	72m/m



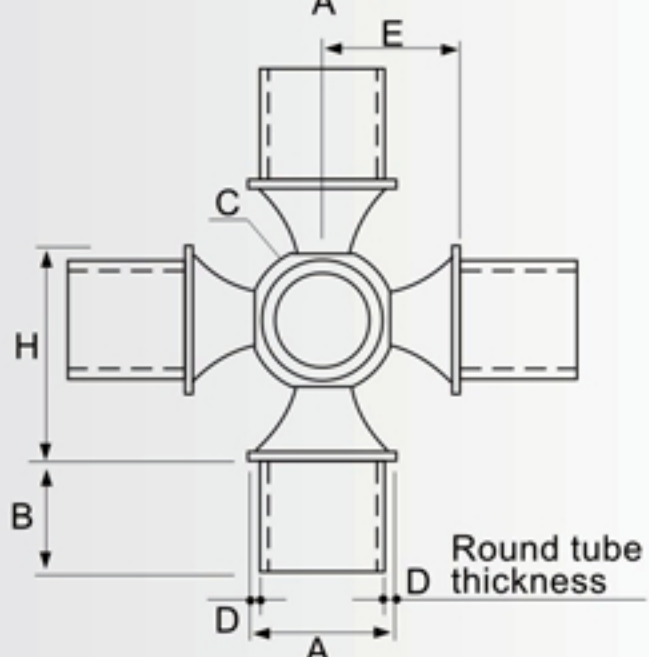
Item No	EUR	A	B	C	D	E	H
SS:337120-3T		φ 33.7	28	φ 33.7	t 2.0	33	50m/m
SS:424120-3T		φ 42.4	33	φ 42.4	t 2.0	42	63m/m
SS:483120-3T		φ 48.3	37	φ 48.3	t 2.0	48	72m/m



Item No	EUR	A	B	C	D	E	H
SS:337120-4		φ 33.7	28	φ 33.7	t 2.0	33	50m/m
SS:424120-4		φ 42.4	33	φ 42.4	t 2.0	42	63m/m
SS:483120-4		φ 48.3	37	φ 48.3	t 2.0	48	72m/m



Item No	EUR	A	B	C	D	E	H
SS:337120-4T		φ 33.7	28	φ 33.7	t 2.0	33	50m/m
SS:424120-4T		φ 42.4	33	φ 42.4	t 2.0	42	63m/m
SS:483120-4T		φ 48.3	37	φ 48.3	t 2.0	48	72m/m



Item No	EUR	A	B	C	D	E	H
SS:337120-5		φ 33.7	28	φ 33.7	t 2.0	33	50m/m
SS:424120-5		φ 42.4	33	φ 42.4	t 2.0	42	63m/m
SS:483120-5		φ 48.3	37	φ 48.3	t 2.0	48	72m/m