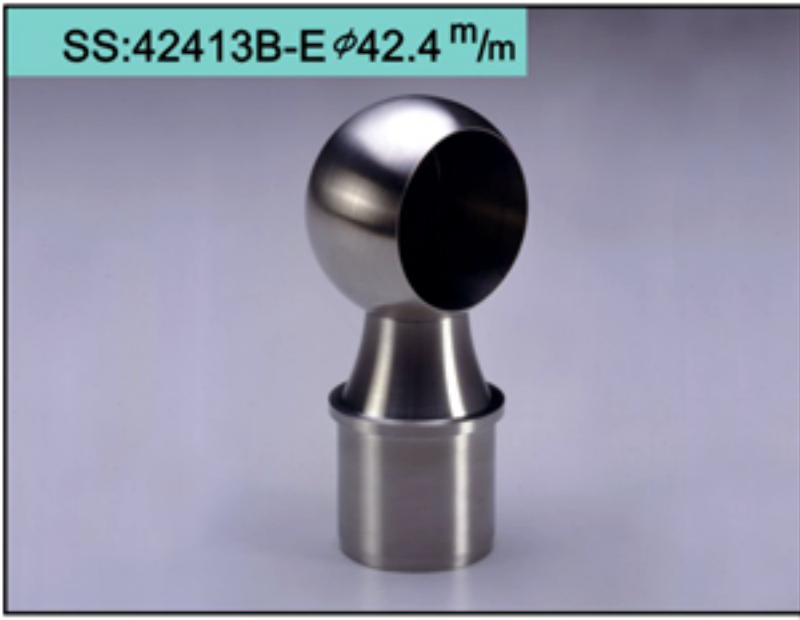
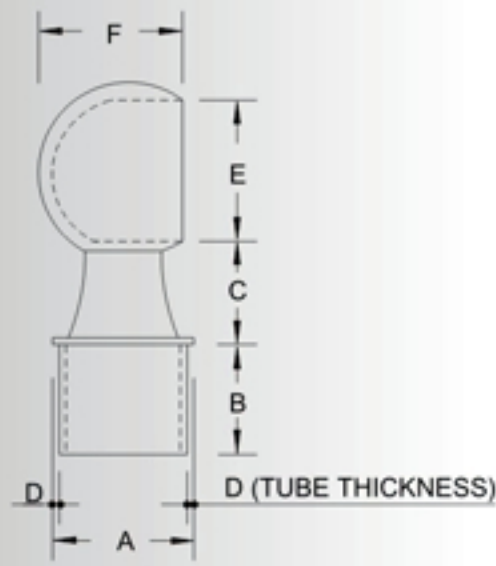




All assembled fittings are accepted your inquiry as material SUS304, SUS316, and SUS316L .



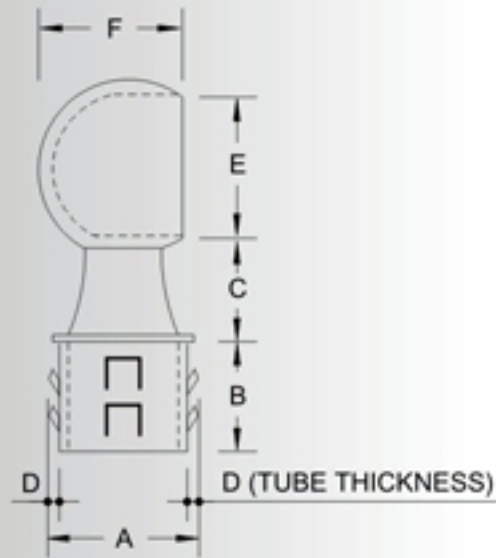
SS:42413B-E $\phi 42.4$ m/m



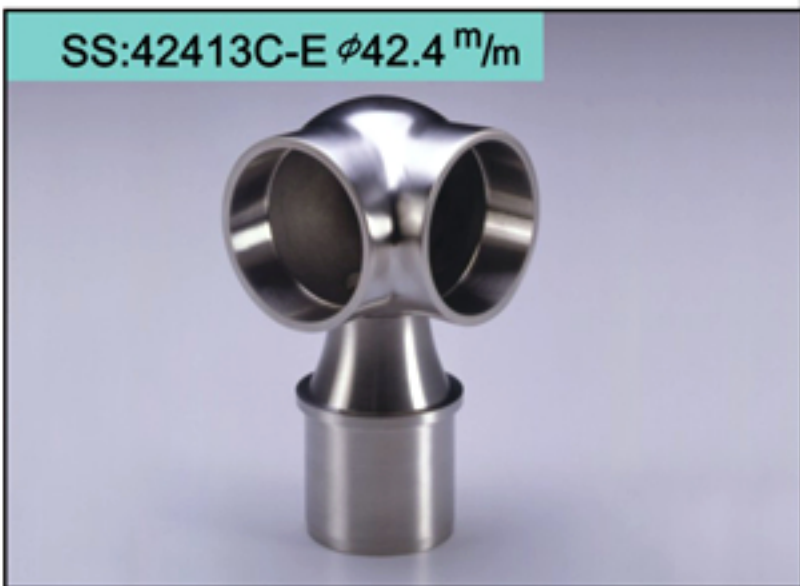
Item No	EUR	A	B	C	D	E	F
SS:30013 B		$\phi 30.$	24.	22.	t 2.0	$\phi 30.$	32. m/m
SS:33713 B		$\phi 33.7$	28.	24.	t 2.0	$\phi 33.7$	36. m/m
SS:40013 B		$\phi 40.$	31.	26.	t 2.0	$\phi 40.$	38. m/m
SS:42413 B		$\phi 42.4$	33.	31.	t 2.0	$\phi 42.4$	44. m/m
SS:48313 B		$\phi 48.3$	37.	35.	t 2.0	$\phi 48.3$	49. m/m
SS:60313 B		$\phi 60.3$	41.	39.	t 2.0	$\phi 60.3$	61. m/m



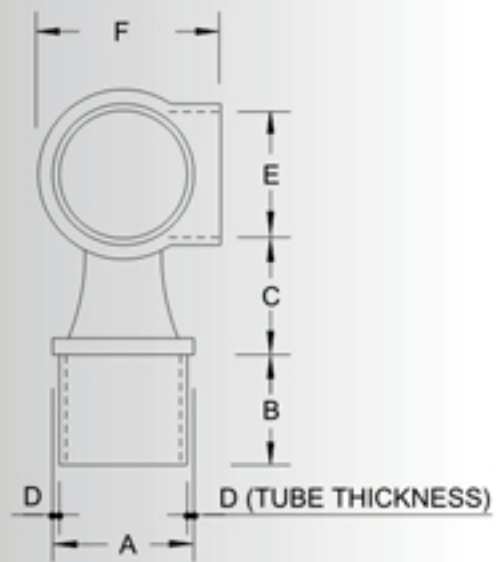
SS:42413BB-E $\phi 42.4$ m/m



Item No	EUR	A	B	C	D	E	F
SS:30013 BB		$\phi 30.$	24.	22.	t 1.5~2.6	$\phi 30.$	32. m/m
SS:33713 BB		$\phi 33.7$	28.	24.	t 1.5~2.6	$\phi 33.7$	36. m/m
SS:40013 BB		$\phi 40.$	31.	26.	t 1.5~2.6	$\phi 40.$	38. m/m
SS:42413 BB		$\phi 42.4$	33.	31.	t 1.5~2.6	$\phi 42.4$	44. m/m
SS:48313 BB		$\phi 48.3$	37.	35.	t 1.5~2.6	$\phi 48.3$	49. m/m
SS:60313 BB		$\phi 60.3$	41.	39.	t 2.0~3.0	$\phi 60.3$	61. m/m



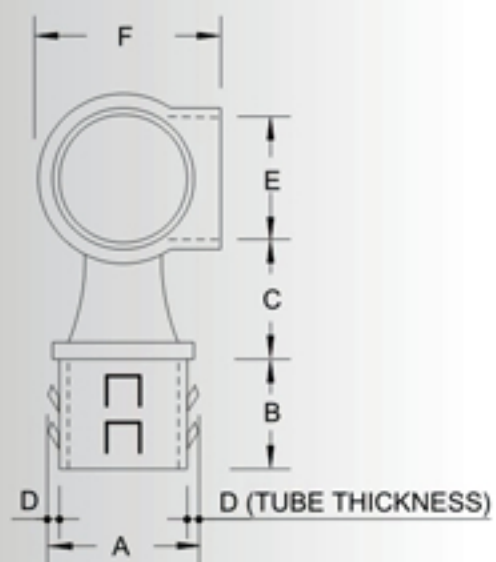
SS:42413C-E $\phi 42.4$ m/m



Item No	EUR	A	B	C	D	E	F
SS:30013 C		$\phi 30.$	24.	22.	t 2.0	$\phi 30.$	42. m/m
SS:33713 C		$\phi 33.7$	28.	24.	t 2.0	$\phi 33.7$	49. m/m
SS:40013 C		$\phi 40.$	31.	26.	t 2.0	$\phi 40.$	55. m/m
SS:42413 C		$\phi 42.4$	33.	31.	t 2.0	$\phi 42.4$	60. m/m
SS:48313 C		$\phi 48.3$	37.	35.	t 2.0	$\phi 48.3$	68. m/m
SS:60313 C		$\phi 60.3$	41.	39.	t 2.0	$\phi 60.3$	82. m/m



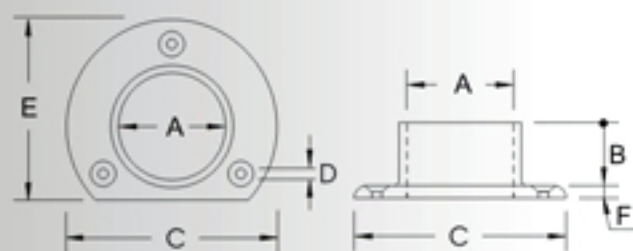
SS:42413CB-E $\phi 42.4$ m/m



Item No	EUR	A	B	C	D	E	F
SS:30013 CB		$\phi 30.$	24.	22.	t 1.5~2.6	$\phi 30.$	42. m/m
SS:33713 CB		$\phi 33.7$	28.	24.	t 1.5~2.6	$\phi 33.7$	49. m/m
SS:40013 CB		$\phi 40.$	31.	26.	t 1.5~2.6	$\phi 40.$	55. m/m
SS:42413 CB		$\phi 42.4$	33.	31.	t 1.5~2.6	$\phi 42.4$	60. m/m
SS:48313 CB		$\phi 48.3$	37.	35.	t 1.5~2.6	$\phi 48.3$	68. m/m
SS:60313 CB		$\phi 60.3$	41.	39.	t 2.0~3.0	$\phi 60.3$	82. m/m



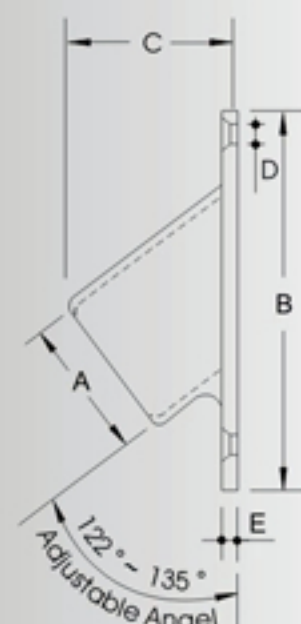
SS:42414 A



Item No	EUR	A	B	C	D	E	F
SS:33714 A		$\phi 33.7$	24.	65.	$\phi 5.2$	52.	t 4.5 m/m
SS:40014 A		$\phi 40.$	29.	78.	$\phi 5.2$	63.	t 5.0 m/m
SS:42414 A		$\phi 42.4$	30.	82.4.	$\phi 5.2$	70.	t 5.5 m/m
SS:48314 A		$\phi 48.3$	34.	95.	$\phi 6.2$	77.	t 6.0 m/m



SS:42415 A



Item No	EUR	A	B	C	D	E
SS:33715 A		$\phi 33.7$	83.	37.	$\phi 5.2$	t 3.5 m/m
SS:40015 A		$\phi 40.$	96.	43.	$\phi 5.2$	t 3.5 m/m
SS:42415 A		$\phi 42.4$	103.	46.	$\phi 5.2$	t 3.5 m/m
SS:48315 A		$\phi 48.3$	114.	50.	$\phi 5.2$	t 3.5 m/m